



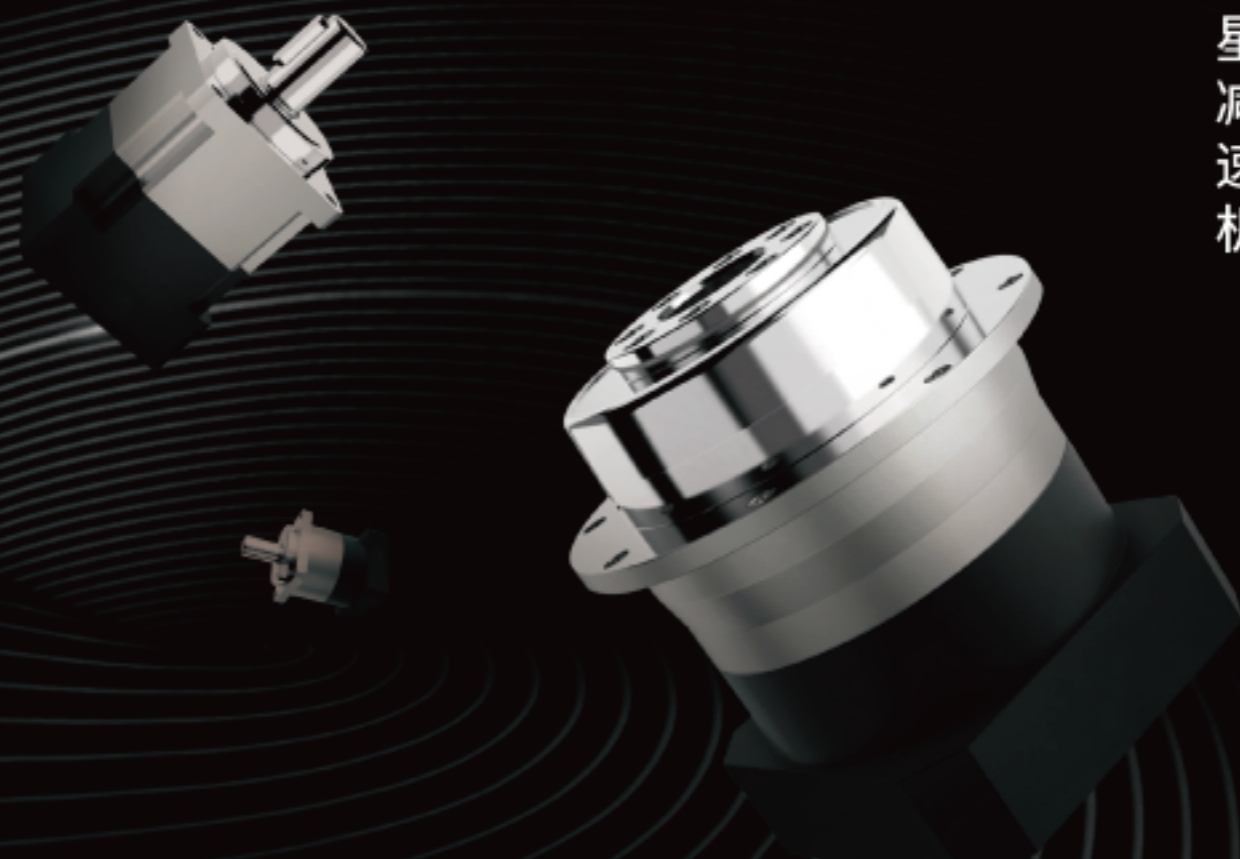
HIGH-END EQUIPMENT

AUTOMATION
SERVICE PROVIDER

高端装备自动化服务商



行星减速机
PLANETARY REDUCER



东莞市天一精密机电有限公司

Dongguan TianYi Precision Mechanical&Electric Co.,Ltd.

☎ 0769-82786588/82786488

🌐 www.tianyipt.com

📍 广东东莞东城区牛山外经工业园三兴路2号

📍 Sanxing Road No.2 ,Niushan Waijing Ind, Dongcheng District,
Dongguan City, Guangdong Province, China.

2021-07版

东莞市天一精密机电有限公司

TianYi Precision Mechanical&Electric Co.,Ltd.



天一精密初创与2001年，扎根东莞，立足全国。现有天一精密，利名自动化，天润科技等多家分（子）公司。天一拥有专业的产品工程师，研发人员，销售人员等200余人，产业涵盖精密制造，品牌系统代理，视觉检测设备三块主营业务，在天津，河北，陕西，山东，江苏等十余个省市自治区设有经销网点多20个，公司营销网络已覆盖全国，为客户提供本地化服务。天一愿与您共同进步，为股东创造价值，为中国制造作出贡献！

TIANYI PRECISION WAS FOUNDED IN 2001, ROOTED IN DONGGUAN, BASED ON THE WHOLE COUNTRY. NOW TIANYI PRECISION, LIMING AUTOMATION, TIANRUN TECHNOLOGY AND MANY OTHER BRANCH (SUBSIDIARIES) COMPANIES. TIANYI HAS PROFESSIONAL PRODUCT ENGINEERS, R&D PERSONNEL, SALES PERSONNEL, ETC. MORE THAN 200 PEOPLE, THE INDUSTRY COVERS THREE MAIN BUSINESSES OF PRECISION MANUFACTURING, BRAND SYSTEM AGENCY, AND VISUAL INSPECTION EQUIPMENT. THERE ARE MORE THAN 20 DISTRIBUTION OUTLETS IN TIANJIN, HEBEI, SHAANXI, SHANDONG, JIANGSU AND OTHER PROVINCES, MUNICIPALITIES AND AUTONOMOUS REGIONS. THE COMPANY'S MARKETING NETWORK HAS COVER THE WHOLE COUNTRY AND PROVIDE CUSTOMERS WITH LOCALIZED SERVICES. TIANYI IS WILLING TO MAKE PROGRESS TOGETHER WITH YOU, CREATE VALUE FOR SHAREHOLDERS, AND MAKE CONTRIBUTIONS TO CHINA'S MANUFACTURING!

至诚

SINCERE

至精

MOST EXQUISITE

共进

ADVANCE TOGETHER

共赢

WIN-WIN

TA — 090 — R010 — P1

Precision/精度

P0<1 arcmin
P1<3 arcmin
P2<5 arcmin
P3< standard

Ratio/减速比

R 3~100

Size/规格

040/060/064/075/090/100/
110/120/140/155/180/200/
205/210/220/235/255

Model/系列

Standard Straight Tooth series 标准型直齿系列:TYK/TNK/TYKH
High precision helical gear series 高精型斜齿系列:TA/TN/TD/TE/TS/TB
Angle output series 转角输出系列:TYKR/TNKR/TYKHR/TAR/TNR/TER/TSR/TBR/TDR
Flanged output series 法兰输出系列:TF/TFR
T-type steering gear T型转向器:TYRS6-2/TYRS/TYRH
Hollow rotating platform 中空旋转平台:TYHD/TYHDK130

标准型直齿系列

STANDARD STRAIGHT TOOTH SERIES

TYK	03
TNK	05
TYKH	07

高精精密型斜齿系列

HIGH PRECISION HELICAL GEAR SERIES

TA	11
TN	13
TD	15
TE	17
TS	19
TB	21

转角输出系列

ANGLE OUTPUT SERIES

TYKR	25
TNKR	27
TYKHR	29
TAR	31
TNR	33
TER	35
TSR	37
TBR	39
TDR	41

法兰输出系列

FLANGED OUTPUT SERIES

TF	45
TFR	47

T型转向器

T-TYPE STEERING GEAR

TYRS6-2	51
TYRS	52
TYRH	55

中空旋转平台

HOLLOW ROTATING PLATFORM

TYHD	59
TYHDK130	60

CONTENTS

01

02

03

04

05

06

标准型直齿系列

STANDARD STRAIGHT TOOTH SERIES

特征 CHARACTERISTIC

- 01/** 行星齿轮的传动介面采用不含保持器满针滚针轴承，提高结构刚性及输出扭矩
The transmission interface of the planetary gear adopts a full needle roller bearing without a retainer to improve structural rigidity and output torque.
- 02/** 行星臂架与输出轴采用一体式设计，确保传动元件同心度，提高扭转刚性和精度
The planetary arm carrier and the output shaft adopt an integrated design to ensure the concentricity of the transmission elements and improve the torsional rigidity and accuracy.
- 03/** 标准品回程间隙 ≤ 8 弧分，定制品回程间隙 ≤ 5 弧分
Standard product return gap ≤ 8 arc minutes, customized product return gap ≤ 5 arc minutes
- 04/** 速比范围3~1000比
Speed ratio range 3~1000 ratio
- 05/** 单级96%以上，双级92%以上
Synthetic grease is used, and the sealing design of IP65 protection grade is adopted, and the lubricating oil does not leak and is maintenance-free.
- 06/** 独特的马达连接板设计，安装简单，适用于任何品牌的伺服、步进电机
Synthetic grease is used, and the sealing design of IP65 protection grade is adopted, and the lubricating oil does not leak and is maintenance-free.
- 07/** 使用合成润滑脂，并采用IP65防护等级的密封设计，润滑油不泄露免维护
Unique motor connection board design, easy to install, suitable for any brand of servo and stepper motors.

STANDARD STRAIGHT TOOTH

标准型直齿系列



TKHY



TYK



TNK



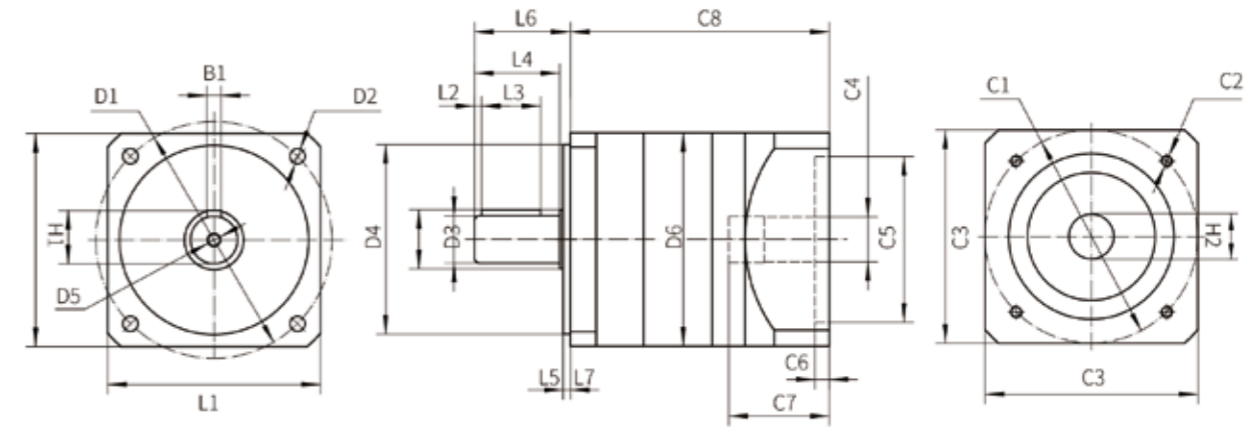
Model/系列

Standard Straight Tooth series 标准型直齿系列: TYK/TNK/TYKH

TYK 性能表 / Performance table

型号 Size	节数 Stage level	速比 Ratio	TYK040	TYK060	TYK080	TYK090	TYK120	TYK150	TYK180	
额定输出扭矩 T2N Nominal output torque T2N	Nm	L1	3	/	22	55	96	155	460	560
			4	13	34	88	122	216	690	1100
			5	15	35	92	122	223	690	1200
			7	12	27	56	95	164	595	1150
			10	9	16	31	56	90	360	900
		L2	15	/	28	72	96	155	690	560
			20	15	35	93	122	230	690	1100
			25	15	37	95	122	237	690	1200
			30	/	25	55	96	164	460	560
			35	15	35	98	122	237	690	1200
	L2	40	13	35	93	122	230	690	1100	
		50	15	37	98	122	237	690	1200	
		70	12	30	60	95	174	595	1150	
		100	9	16	31	56	90	360	900	
急停扭矩 Emergency stop		Nm		2倍于T2N/2-times of T2N						
额定输入转速 Normal input speed	Rpm	L1*L2	3~100	4500	4000	3500	3500	3000	3000	2000
最大输入转速 Maximum input speed	Rpm	L1*L2	3~100	10000	8000	6000	6000	4800	4500	4500
回程间隙P1 Low backlash	Arcmin	L1	3~10	≤8	≤8	≤8	≤8	≤8	≤8	≤8
回程间隙P2 Standard backlash	Arcmin	L2	12~100	≤12	≤12	≤12	≤12	≤12	≤12	≤12
扭转刚度 Torsional stiffness	Nm/Arcmin	L1	3~10	≤12	≤16	≤16	≤16	≤16	≤16	≤16
最大径向力 Maximum radial force	N	L2	12~100	≤15	≤20	≤20	≤20	≤20	≤20	≤20
最大轴向力 Maximum axial force	N	L1*L2	3~100	165	320	650	680	1730	3700	13000
工作效率 Efficiency	%	L1	3~10	≥96%						
工作寿命 Life time	H	L2	12~100	≥92%						
环境温度 Operating temperature	°C	L1*L2	3~100	≥20000h						
润滑方式 Lubrication		L1*L2	3~100	-20°C~+80°C						
防护等级 IP degree		L1*L2	3~100	终身润滑/life lubrication						
安装方向 Mounting position		L1*L2	3~100	IP65						
噪音 Noise level	dB	L1*L2	3~100	任何方向/All position						
转动惯量 Moment of inertia	kgm ²	L1	3	/	0.28	0.59	1.55	7.3	12.14	28.56
			4	0.03	0.27	0.54	1.5	7	7.75	25.62
			5	0.03	0.27	0.53	1.49	6.97	7.75	23.82
			7	0.025	0.25	0.47	1.24	6.26	7.12	23.31
			10	0.022	0.25	0.47	1.24	6.24	6.24	23.31
		L2	15	/	0.26	0.54	1.31	6.9	12.3	23.25
			20	0.03	0.27	0.51	1.28	6.67	7.35	23.2
			25	0.03	0.27	0.51	1.28	6.67	7.35	23.2
			30	/	0.25	0.5	1.27	6.66	7.31	23.17
			35	0.025	0.25	0.5	1.27	6.65	7.25	23.15
	L2	40	0.025	0.27	0.5	1.27	6.65	7.25	23.15	
		50	0.022	0.22	0.43	1.1	6.3	7.2	23.1	
		70	0.022	0.22	0.43	1.1	6.3	7.2	23.1	
	100	0.022	0.22	0.43	1.1	6.3	6.92	23.03		

TYK 外形尺寸图表 / Out line dimension sheet

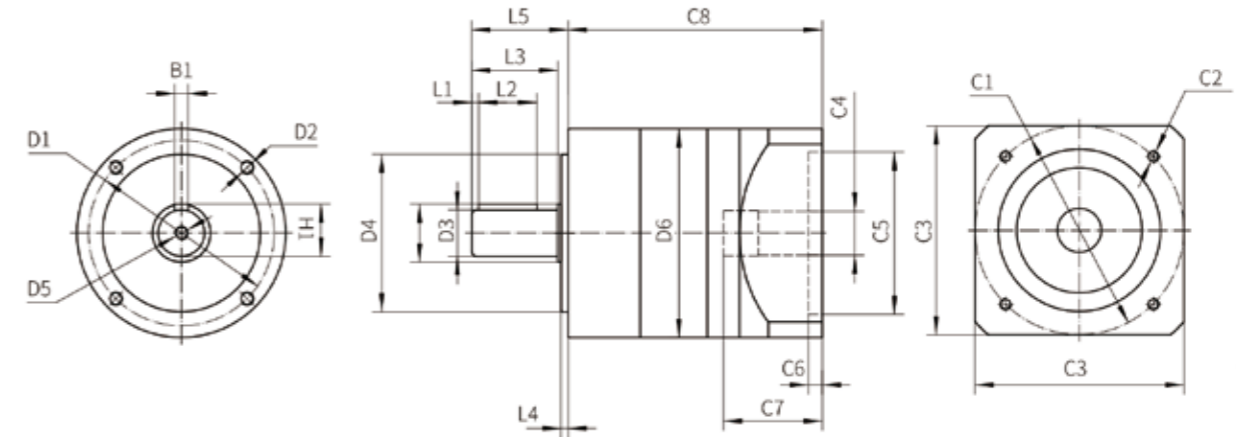


型号 size	TYK040	TYK060	TYK080	TYK090	TYK120	TYK150	TYK180
所有尺寸均以毫米为单位 all dimensions in mm							
D1 对角尺寸 diagonal dimension	50	70	90	100	130	165	215
D2 安装螺孔 mounting bore	3.5	5.5	6.5	6.5	8.5	10.5	13
D3 轴径 shaft diameter	13	14	20	20	25	40	55
D4 定位凸台 centering	35	50	60	80	110	130	160
D5 中心孔 centre bore	M4	M5	M6	M6	M10	M12	M12
D6 截面直径 cross sectional diameter	42	60	80	90	120	142	182
L1 法兰截面 flange section	42	60	80	90	120	142	182
L2 至轴末端的距离 distance from shaft end	3	3	3	3	5	5	6
L3 键长 key width	15	20	25	25	40	70	70
L4 轴长自定位凸台起 shaft length from spigot	22.5	31	36	36	48.5	80	82
L5 定位凸台厚度 spigot depth	3	3	3	3	4	5	10
L6 输出轴长 shaft length from output	26	35	40.5	40.5	54	87	94.5
L7 法兰厚度 flange thickness	4	10	11.5	11.5	15	15	25
C1 对角尺寸 diagonal dimension	45	70	90	90	145	200	200
C2 安装螺纹*深度 mounting thread*depth	M3	M4	M5	M5	M8	M12	M12
C3 法兰截面 flange section	42	60	80	90	120	180	182
C4 轴中心孔 pinion bore	8	14	19	19	22	35	35
C5 中心孔 center bore for motor	30	50	70	70	110	114.3	114.3
C6 电机定位凸台深度 motor location depth	4.5	5	6	5	8	8	8
C7 马达轴长度 motor shaft length	26.5	31.5	41.5	41.5	59	82	82
C8 总长 (单级) overall length (single stage)	61	80	98	109.5	141	166	205.5
C8 总长 (双级) overall length (two stage)	73.5	96	118	133.5	172	213	275
B1 键宽 key width	5	5	6	6	8	12	16
H1 space between	15	16	22.5	22.5	28	43	59
B2 键宽 key width	/	/	/	/	/	10	10
H2 space between	/	/	/	/	/	38.3	38.3

TNK 性能表 / Performance table

型号 Size	节数 Stage level	速比 Ratio	TNK060	TNK080	TNK090	TNK120	
额定输出扭矩 T2N Nominal output torque T2N	L1	3	22	55	96	155	
		4	34	88	122	216	
		5	35	92	122	223	
		7	27	56	95	164	
		10	16	31	56	90	
	L2	15	28	72	96	155	
		20	35	93	122	230	
		25	37	95	122	237	
		30	25	55	96	164	
		35	35	98	122	237	
		40	35	93	122	230	
		50	37	98	122	237	
		70	30	60	95	174	
		100	16	31	56	90	
急停扭矩 Emergency stop	Nm		2倍于T2N/2-times of T2N				
额定输入转速 Norminal input speed	Rpm	L1*L2	3~100	4000	3500	3500	3000
最大输入转速 Maximum input speed	Rpm			8000	6000	6000	4800
回程高精度间隙P1 Low Backlash	Arcmin	L1	3~10	≤8	≤8	≤8	≤8
回程标准间隙P2 Standard Backlash		L2	12~100	≤12	≤12	≤12	≤12
扭转刚性 Torsional stiffness	Nm/Arcmin		N	2	6.1	6.2	11.1
最大径向力 Maximum radial force	N	L1*L2	3~100	320	650	680	1730
最大轴向力 Maximum axial force				260	610	620	1270
工作效率 Efficiency	%	L1	3~10	≥96%	≥96%	≥96%	≥96%
		L2	12~100	≥92%	≥92%	≥92%	≥92%
工作寿命 Life time	H			≥20000h			
环境温度 Operating temperature	°C			-20°C~+80°C			
润滑方式 Lubrication				终身润滑/life lubrication			
防护等级 IP degree				IP65			
安装方向 Mounting position				任何方向/All position			
噪音 Noise level	dB			≤58	≤60	≤60	≤65
转动惯量 Moment of inertia	L1	3	0.28	0.59	1.55	7.3	
		4	0.27	0.54	1.5	7	
		5	0.27	0.53	1.49	6.97	
		7	0.25	0.47	1.24	6.26	
		10	0.25	0.47	1.24	6.24	
	L2	15	0.26	0.54	1.31	6.9	
		20	0.27	0.51	1.28	6.67	
		25	0.27	0.51	1.28	6.67	
		30	0.25	0.5	1.27	6.66	
		35	0.25	0.5	1.27	6.65	
		40	0.27	0.5	1.27	6.65	
		50	0.22	0.43	1.1	6.3	
		70	0.22	0.43	1.1	6.3	
		100	0.22	0.43	1.1	6.3	

TNK 外形尺寸图表 / Out line dimension sheet

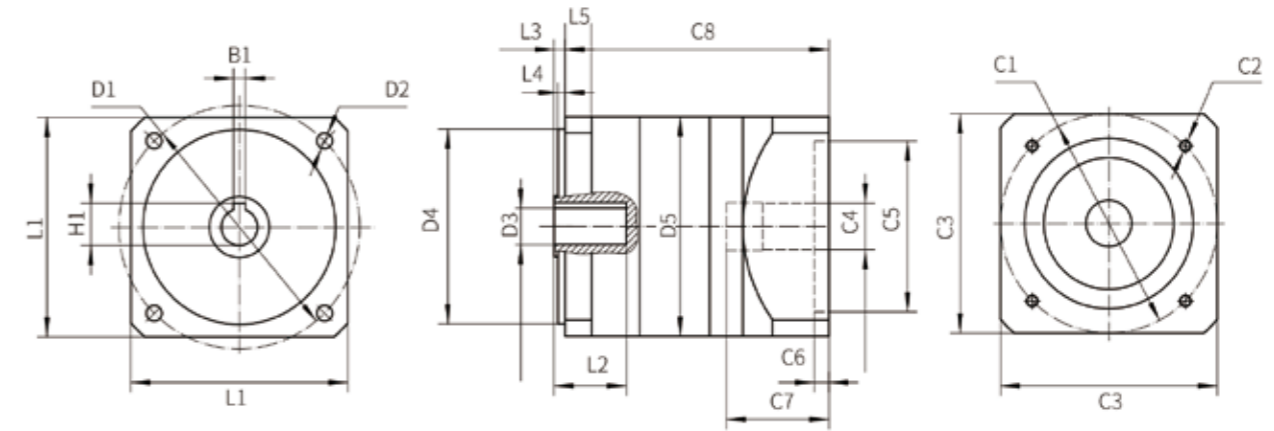


型号 size	TNK060	TNK080	TNK090	TNK120
所有尺寸均以毫米为单位 all dimensions in mm				
D1 对角尺寸 diagonal dimension	52	70	80	100
D2 安装螺孔 mounting bore	M5	M6	M6	M10
D3 轴径 shaft diameter	14	20	20	25
D4 定位凸台 centering	40	60	68	80
D5 中心孔 centre bore	M5	M6	M6	M10
D6 截面直径 cross sectional diameter	60	80	90	120
L1 至轴末端的距离 distance from shaft end	3	3	3	5
L2 键长 key width	20	25	25	40
L3 轴长自定位凸台起 shaft length from spigot	31	36	36	48.5
L4 定位凸台厚度 spigot depth	3	3	3	4
L5 输出轴长 shaft length from output	35	40.5	40.5	54
C1 对角尺寸 diagonal dimension	70	90	90	145
C2 安装螺纹*深度 mounting thread*depth	M4	M5	M5	M8
C3 法兰截面 flange section	60	80	90	120
C4 轴中心孔 pinion bore	14	19	19	22
C5 中心孔 center bore for motor	50	70	70	110
C6 电机定位凸台深度 motor location depth	5	6	5	8
C7 马达轴长度 motor shaft length	31.5	41.5	41.5	59
C8 总长 (单级) overall length (single stage)	80	98	109.5	141
C8 总长 (双级) overall length (two stage)	96	118	133.5	172
B1 键宽 key width	5	6	6	8
H1 space between	16	22.5	22.5	28

TYKH性能表 / Performance table

型号 Size	节数 Stage level	速比 Ratio	TYKH060	TYKH080	TYKH090	TYKH120	
额定输出扭矩 T2N Nominal output torque T2N	L1	3	22	55	96	155	
		4	34	88	122	216	
		5	35	92	122	223	
		7	27	56	95	164	
		10	16	31	56	90	
	L2	15	28	72	96	155	
		20	35	93	122	230	
		25	37	95	122	237	
		30	25	55	96	164	
		35	35	98	122	237	
	L2	40	35	93	122	230	
		50	37	98	122	237	
		70	30	60	95	174	
		100	16	31	56	90	
急停扭矩 Emergency stop	Nm		2倍于T2N/2-times of T2N				
额定输入转速 Norminal input speed	Rpm	L1*L2	3~100	4000	3500	3500	3000
最大输入转速 Maximum input speed	Rpm			8000	6000	6000	4800
回程高精度间隙P1 Low Backlash	Arcmin	L1	3~10	≤8	≤8	≤8	≤8
回程标准间隙P2 Standard Backlash		L2	12~100	≤12	≤12	≤12	≤12
		L1	3~10	≤16	≤16	≤16	≤16
		L2	12~100	≤20	≤20	≤20	≤20
扭转刚性 Torsional stiffness	Nm/Arcmin		N	2	6.1	6.2	11.1
最大径向力 Maximum radial force	N	L1*L2	3~100	320	650	680	1730
最大轴向力 Maximum axial force				260	610	620	1270
工作效率 Efficiency	%	L1	3~10	≥96%	≥96%	≥96%	≥96%
		L2	12~100	≥92%	≥92%	≥92%	≥92%
工作寿命 Life time	H	L1*L2	3~100	≥20000h			
环境温度 Operating temperature	°C			-20°C~+80°C			
润滑方式 Lubrication				终身润滑/life lubrication			
防护等级 IP degree				IP65			
安装方向 Mounting position				任何方向/All position			
噪音 Noise level	dB			≤58	≤60	≤60	≤65
转动惯量 Moment of inertia	L1	3	0.28	0.59	1.55	7.3	
		4	0.27	0.54	1.5	7	
		5	0.27	0.53	1.49	6.97	
		7	0.25	0.47	1.24	6.26	
		10	0.25	0.47	1.24	6.24	
	L2	15	0.26	0.54	1.31	6.9	
		20	0.27	0.51	1.28	6.67	
		25	0.27	0.51	1.28	6.67	
		30	0.25	0.5	1.27	6.66	
		35	0.25	0.5	1.27	6.65	
		40	0.27	0.5	1.27	6.65	
		50	0.22	0.43	1.1	6.3	
		70	0.22	0.43	1.1	6.3	
		100	0.22	0.43	1.1	6.3	

TYKH外形尺寸图表 / Out line dimension sheet



型号 size	TYKH060	TYKH080	TYKH090	TYKH120
所有尺寸均以毫米为单位 all dimensions in mm				
D1 对角尺寸 diagonal dimension	70	90	100	130
D2 安装螺孔 mounting bore	5.5	6.5	6.5	8.5
D3 定位孔径 positioning aperture	10	15	15	20
D4 定位凸台 centering	50	60	80	110
D5 截面直径 cross sectional diameter	60	80	90	120
L1 法兰截面 flange section	60	80	90	120
L2 定位孔径深度 positioning aperture depth	20	30	30	40
L3 定位凸台总长 total length of positioning boss	4	4.5	4.5	5.5
L4 定位凸台厚度 spigot depth	3	3	3	4
L5 法兰厚度 flange thickness	10	11.5	11.5	15
C1 对角尺寸 diagonal dimension	70	90	90	145
C2 安装螺纹*深度 mounting thread*depth	M4	M5	M5	M8
C3 法兰截面 flange section	60	80	90	120
C4 轴中心孔 pinion bore	14	19	19	22
C5 中心孔 center bore for motor	50	70	70	110
C6 电机定位凸台深度 motor location depth	5	6	5	8
C7 马达轴长度 motor shaft length	31.5	41.5	41.5	59
C8 总长 (单级) overall length (single stage)	80	98	109.5	141
C8 总长 (双级) overall length (two stage)	96	118	133.5	172
B1 键宽 key width	3	5	5	6
H1 space between	11.4	17.3	17.3	22.8

高精密斜齿系列

HIGH PRECISION HELICAL GEAR SERIES

特征

CHARACTERISTIC

- 01/** 行星齿轮和太阳齿齿轮均采用斜齿设计，齿形啮合率为直齿轮的2倍以上，运转平顺、低噪音、低背隙
Planetary gears and sun gears are designed with helical gears, and the tooth profile meshing ratio is more than twice that of spur gears, smooth running, low noise, and low backlash.
- 02/** 行星臂架与输出轴采用一体式设计，并采用一次加工工艺完成，确保传动元件同心度，提高扭转刚性和精度
The planetary arm carrier and the output shaft adopt an integrated design and are completed by one-time processing technology to ensure the concentricity of the transmission elements and improve the torsional rigidity and accuracy
- 03/** 齿轮箱和内齿圈采用一体式设计，材料选用SCM415/420合金钢，经调质后加工，齿轮精度达DIN6级
The gear box and the inner gear ring adopt an integrated design. The material is SCM415/420 alloy steel. After quenching and tempering, the gear accuracy reaches DIN6.
- 04/** 标准品回程间隙 ≤ 3 弧分，定制品回程间隙 ≤ 1 弧分
单级97%以上，双级94%以上
Standard product return gap ≤ 3 arcmin, customized product return gap ≤ 1 arcmin
More than 97% of single-stage, more than 94% of double-stage
- 05/** 使用合成润滑脂，并采用IP65防护等级的密封设计，润滑油不泄露免维护
独特的马达连接板设计，安装简单，适用于任何品牌的伺服马达、步进
Synthetic grease is used, and the sealing design of IP65 protection grade is adopted, and the lubricating oil does not leak and is maintenance-free
Unique motor connection board design, easy to install, suitable for any brand of servo motor, stepper
- 06/** 输入端与电机的连接方式采用筒夹式锁紧机构并经过平衡分析，以确保在高输出转速下结合界面的同心度和零背隙的动力传递
The connection between the input end and the motor adopts a collet-type locking mechanism and undergoes dynamic balance analysis to ensure the concentricity of the interface and zero backlash power transmission at high output speeds

HIGH PRECISION HELICAL GEAR

高精密斜齿系列



TD

TE

TN

TB

TN --- 090 --- R010 ---- P1

Size/规格

040/060/064/075/090/100/
110/120/140/155/180/200/
205/210/220/235/255

Ratio/减速比
R 3~100

Precision/精度
P0<1 arcmin
P1<3 arcmin
P2<5 arcmin
P3<standard

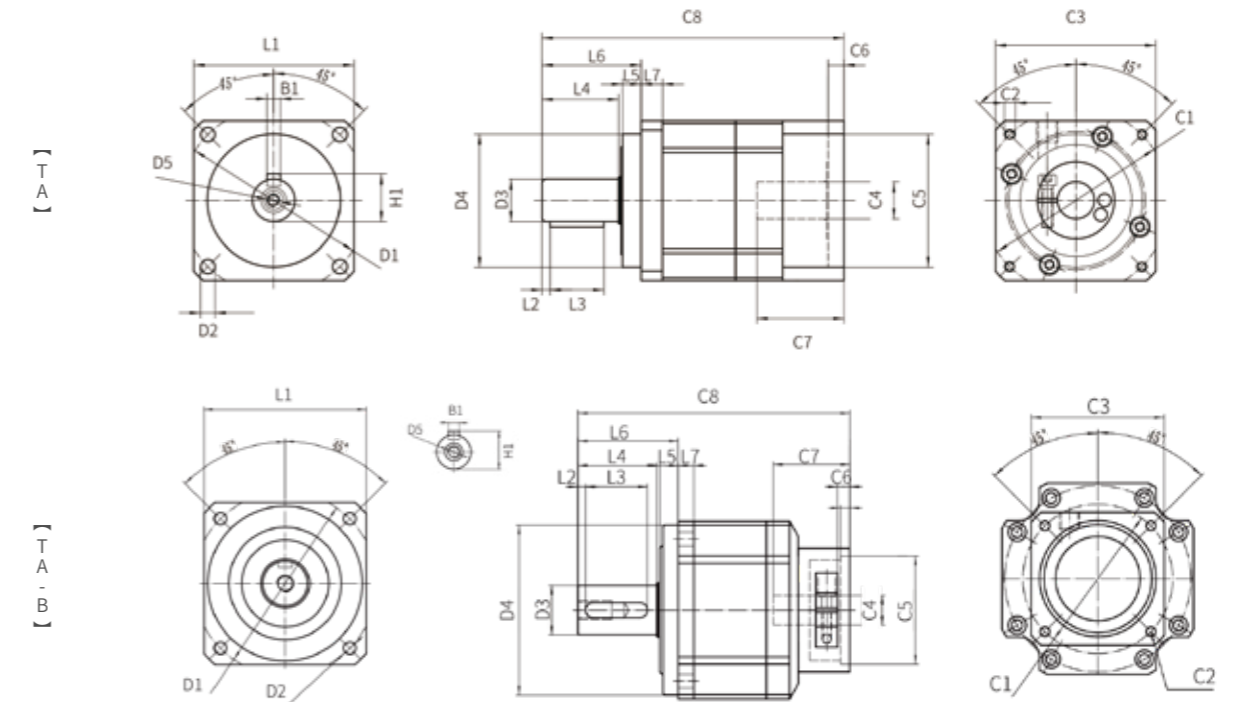
Model/系列

High precision helical gear series 高精密型斜齿系列: TA/TN/TD/TE/TS/TB

TA性能表 / Performance table

型号 Size	节数 Stage level	速比 Ratio	TA060	TA090/TA090B	TA115/TA115B	TA140/TA140B	TA180	TA220		
额定输出扭矩 T2N Nominal output torque T2N	L1	3	50	130	208	342	1020	1550		
		4	50	140	290	542	1280	2160		
		5	60	160	330	650	1250	2100		
		7	50	140	300	550	1030	1580		
		10	40	100	230	450	950	1530		
		L2	15	55	130	208	342	1050	1650	
			20	50	140	290	542	1200	2050	
			25	60	160	330	650	1200	2000	
			30	55	150	310	600	1050	1600	
			35	50	140	300	550	1020	1500	
	40		45	120	230	500	1100	1350		
	L2	50	60	160	330	650	1000	1300		
		70	50	140	300	550	1000	1200		
		100	40	100	230	450	950	1100		
		急停扭矩 Emergency stop	Nm	2.5倍于T2N/2.5-times of T2N						
	额定输入转速 Normal input speed	Rpm	3-100	5000	4000	4000	3000	2000	2000	
最大输入转速 Maximum input speed	Rpm		10000	8000	8000	6000	4500	4000		
回程间隙P1 Low Backlash	Arcmin	L1	3-10	≤3	≤3	≤3	≤3	≤3		
回程间隙P2 Low Backlash		L2	12-100	≤5	≤5	≤5	≤5	≤5		
回程间隙P1 Low Backlash	Arcmin	L1	3-10	≤5	≤5	≤5	≤7	≤7		
回程间隙P2 Low Backlash		L2	12-100	≤8	≤8	≤8	≤9	≤9		
扭转刚度 Torsional stiffness	Nm/Arcmin	N	7	14	25	50	140	210		
最大径向力 Maximum radial force	N	L1*L2	3-100	1200	2450	4000	9000	14500	50000	
最大轴向力 Maximum axial force		L1*L2	3-100	1050	2200	4000	8300	7200	28000	
工作效率 Efficiency	%	L1	3-10	≥97	≥97	≥97	≥97	≥97		
工作效率 Efficiency	%	L2	12-100	≥94	≥94	≥94	≥94	≥94		
工作寿命 Life time	H	L1*L2	3-100	≥20000h						
环境温度 Operating temperature	°C			-10°C~+90°C						
润滑方式 Lubrication				终身润滑/life lubrication						
防护等级 IP degree				IP65						
安装方向 Mounting position		任何方向/All position								
噪音 Noise level	dB			≤60	≤64	≤67	≤72	≤70	≤70	
转动惯量 Moment of inertia	L1	3	0.16	0.61	3.25	9.21	28.98	69.61		
		4	0.14	0.48	2.74	7.54	23.67	54.37		
		5	0.13	0.47	2.71	7.42	23.29	53.27		
		7	0.13	0.45	2.62	7.25	22.48	50.97		
		10	0.13	0.44	2.57	7.14	22.51	50.56		
		L2	15	0.03	0.13	0.47	7.03	7.42	23.29	
			20	0.03	0.13	0.47	7.14	7.42	23.29	
			25	0.03	0.13	0.47	7.14	7.42	23.29	
			30	0.03	0.13	0.47	7.14	7.42	23.29	
			35	0.03	0.13	0.47	7.14	7.42	23.29	
	40		0.03	0.13	0.47	7.14	7.42	23.29		
	L2	50	0.03	0.13	0.47	7.14	7.42	23.29		
		70	0.03	0.13	0.44	2.57	7.03	22.51		
		100	0.03	0.13	0.44	2.57	7.03	22.51		

TA外形尺寸图表 / Out line dimension sheet

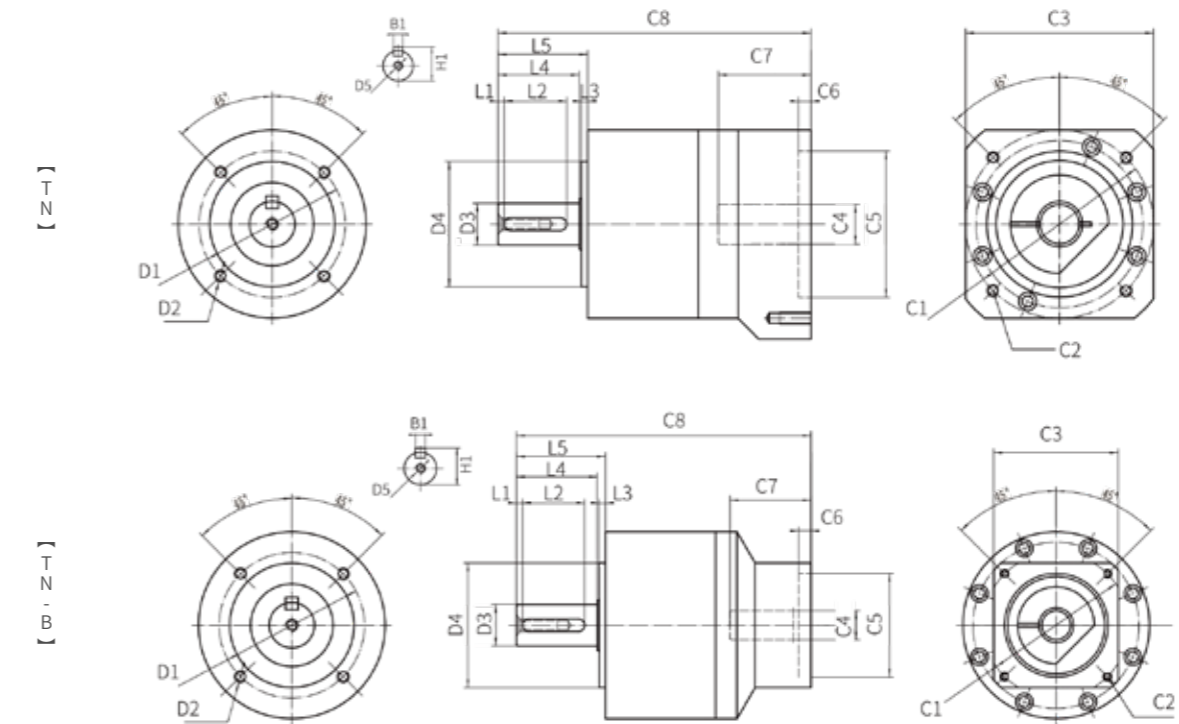


型号 size	TA060	TA090	TA090B	TA115	TA115B	TA140	TA140B	TA180	TA220
所有尺寸均以毫米为单位 all dimensions in mm									
D1 对角尺寸 diagonal dimension	70	100		130		165		215	250
D2 安装螺孔 mounting bore	5.5	6.5		9		11		13	17
D3 轴径 shaft diameter	16	22		32		40		55	75
D4 定位凸台 centering	50	80		110		130		160	180
D5 中心孔 centre bore	M5*12	M8*16		M12*24		M16*32		M20*40	M20*40
L1 法兰截面 flange section	60	90		115		140		180	220
L2 至轴末端的距离 distance from shaft end	3	3		5		5		6	7
L3 键长 key width	20	30		40		65		70	90
L4 轴长自定位凸台起 shaft length from spigot	28.5	35.5		51		82		82	105
L5 定位凸台厚度 spigot depth	7	10		12		13.5		20	30
L6 输出轴长 shaft length from output	37	48		65		98.5		105	138
L7 法兰厚度 flange thickness	8	10		10		12		15	20
C1 对角尺寸 diagonal dimension	70	90	70	145	90	200	145	200	215
C2 安装螺孔*深度 mounting thread*depth	M4*8	M5*10	M4*8	M8*16	M6*12	M12*24	M8*16	M12*24	M12*24
C3 法兰截面 flange section	60	90	60	130	80	180	130	180	200
C4 轴中心孔 pinion bore	14	19	14	24	19	35	24	35	42
C5 中心孔 center bore for motor	50	70	50	110	70	114.3	110	114.3	180
C6 电机定位凸台深度 motor location depth	6	6	6	6	6	8	11	7	8
C7 马达轴长度 motor shaft length	32.5	47	39	62.5	49.5	81.5	74	85	109
C8 总长 (单级) overall length (single stage)	113	146.5	138.5	189	176	257	249.5	284	358
C8 总长 (双级) overall length (two stage)	133	174.5	166.5	226	213	310.5	303	340	407
B1 键宽 key width	5	6	6	10	10	12	12	16	20
H1 轴间距 between	18	24.5	24.5	35.5	35.5	43	43	59	79.5

TN性能表 / Performance table

型号 Size	节数 Stage level	速比 Ratio	TN060	TN090/TN090B	TN120/TN120B	TN150	
额定输出扭矩 T2N Nominal output torque T2N	L1	3	42	110	188	423	
		4	42	113	223	364	
		5	40	118	220	423	
		7	35	96	198	358	
		10	27	68	155	293	
		15	40	109	185	423	
		20	42	116	230	364	
	L2	25	40	123	228	423	
		30	40	108	212	423	
		35	35	100	206	358	
		40	43	117	232	364	
		50	40	123	228	423	
		70	35	100	206	358	
		100	27	70	162	293	
急停扭矩 Emergency stop	Nm		2.5倍于T2N/2.5-times of T2N				
额定输入转速 Norminal input speed	Rpm	L1*L2	3-100	4000	3600	3600/4000	2500
最大输入转速 Maximum input speed	Rpm			6000	6000	4800	3600
回程间隙 Backlash	Arcmin	L1	3-10	≤5	≤5	≤5	≤5
		L2	12-100	≤8	≤8	≤8	≤8
扭转刚度 Torsional stiffness	Nm/Arcmin		N	7	14	25	50
最大径向力 Maximum radial force	N	L1*L2	3-100	1030	1570	3590	6520
最大轴向力 Maximum axial force	N			515	785	1795	3260
工作效率 Efficiency	%	L1	3-10	≥97	≥97	≥97	≥97
		L2	12-100	≥94	≥94	≥94	≥94
工作寿命 Life time	H			≥20000小时			
环境温度 Operating temperature	°C			-10°C~+90°C			
润滑方式 Lubrication				终身润滑/life lubrication			
防护等级 IP degree				IP65			
安装方向 Mounting position				任何方向/All position			
噪音 Noise level	dB			≤60	≤64	≤67	≤68
转动惯量 Moment of inertia	L1	3	0.16	0.61	3.25	36.72	
		4	0.14	0.48	2.74	34.63	
		5	0.13	0.47	2.71	34.24	
		7	0.13	0.45	2.62	34.07	
		10	0.13	0.44	2.57	34.02	
		15	0.03	0.13	0.47	34.02	
		20	0.03	0.13	0.47	34.02	
	L2	25	0.03	0.13	0.47	34.02	
		30	0.03	0.13	0.47	34.02	
		35	0.03	0.13	0.47	34.02	
		40	0.03	0.13	0.47	34.02	
		50	0.03	0.13	0.47	34.02	
		70	0.03	0.13	0.44	34.02	
		100	0.03	0.13	0.44	34.02	

TN外形尺寸图表 / Out line dimension sheet

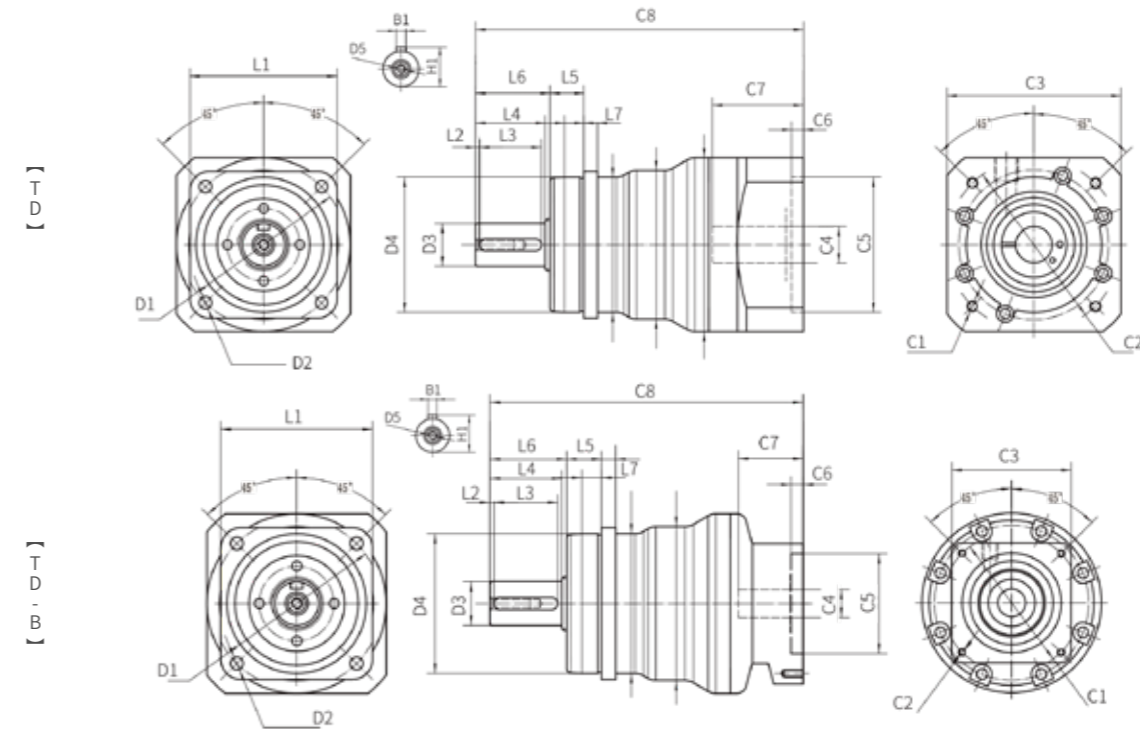


型号 size	TN060	TN090	TN090B	TN120	TN120B	TN150
所有尺寸均以毫米为单位 all dimensions in mm						
D1 对角尺寸 diagonal dimension	52	70	100	145	200	245
D2 安装螺孔 mounting bore	M5*10	M6*12	M6*12	M10*20	M10*20	M12*24
D3 轴径 shaft diameter	14	20	25	40	40	40
D4 定位凸台 centering	40	60	80	130	130	130
D5 中心孔 centre bore	M5*12	M6*12	M6*12	M12*24	M12*24	M12*32
L1 至轴末端的距离 distance from shaft end	3	3	8	8	8	8
L2 键长 key width	15	30	30	65	65	65
L3 定位凸台厚度 spigot depth	3.5	3	4	5	5	5
L4 轴长自定位凸台起 shaft length from spigot	23.5	39	49.5	80	80	80
L5 输出轴长 shaft length from output	28	43	55	87	87	87
C1 对角尺寸 diagonal dimension	70	90	70	145	90	200
C2 安装螺纹*深度 mounting thread*depth	M4*8	M5*10	M4*8	M8*16	M6*12	M12*24
C3 法兰截面 flange section	60	90	60	130	90	176
C4 轴中心孔 pinion bore	14	19	14	24	19	35
C5 中心孔 center bore for motor	50	70	50	110	70	114.3
C6 电机定位凸台深度 motor location depth	6	6	6	6	8	7
C7 马达轴长度 motor shaft length	32.5	44.5	39	68	47	86
C8 总长 (单级) overall length (single stage)	108	150	142	200	180	282
C8 总长 (双级) overall length (two stage)	128	178	170	234	214	331.5
B1 键宽 key width	4	6	8	12	12	12
H1 space between	16	22.5	28	43	43	43

TD性能表 / Performance table

型号 Size	节数 Stage level	速比 Ratio	TD075/TD075B	TD100/TD100B	TD140/TD140B	TD180	TD210	
额定输出扭矩 T2N Nominal output torque T2N	L1	3	130	208	342	588	1140	
		4	140	290	542	1050	1700	
		5	160	330	650	1200	2000	
		7	140	300	550	1100	1800	
		10	100	230	450	900	1500	
		15	130	208	342	588	1140	
	L2	20	140	290	542	1050	1700	
		25	160	330	650	1200	2000	
		30	150	310	600	1100	1900	
		35	140	300	550	1100	1800	
		40	120	230	500	1000	1600	
		50	160	330	650	1200	2000	
		70	140	300	550	1100	1800	
		100	100	230	450	900	1500	
急停扭矩 Emergency stop	Nm		2.5倍于T2N/2.5-times of T2N					
额定输入转速 Normal input speed	Rpm	L1*L2	3~100	4000	4000	3000	3000	2000
最大输入转速 Maximum input speed	Rpm			8000	8000	6000	6000	4000
回程高精度间隙P1 low Backlash	Arcmin	L1	3~10	≤3	≤3	≤3	≤3	≤3
		L2	12~100	≤5	≤5	≤5	≤5	≤5
回程标准间隙P2 standard Backlash	Arcmin	L1	3~10	≤5	≤5	≤5	≤5	≤5
		L2	12~100	≤8	≤8	≤8	≤8	≤8
扭转刚性 Torsional stiffness	Nm/Arcmin		3~100	14	25	50	145	225
最大径向力 Maximum radial force	N	L1*L2	3~100	2450	4000	9000	15000	20000
最大轴向力 Maximum axial force	N			2200	4000	8300	14200	28000
工作效率 Efficiency	%	L1	3~10	≥97	≥97	≥97	≥96	≥96
		L2	12~100	≥94	≥94	≥94	≥93	≥93
工作寿命 Life time	H			≥20000h				
环境温度 Operating temperature	°C			-10°C~ +90°C				
润滑方式 Lubrication				终身润滑/life lubrication				
防护等级 IP degree				IP65				
安装方向 Mounting position				任何方向/All position				
噪音 Noise level	dB			≤62	≤65	≤70	≤68	≤70
转动惯量 Moment of inertia	L1	3	0.61	3.25	9.21	28.98	69.61	
		4	0.48	2.74	7.54	23.67	54.37	
		5	0.47	2.71	7.42	23.29	53.27	
		7	0.45	2.62	7.25	22.48	50.97	
		10	0.44	2.57	7.14	22.51	50.56	
		15	0.13	0.47	7.03	7.42	23.29	
	L2	20	0.13	0.47	2.71	7.42	23.29	
		25	0.13	0.47	2.71	7.42	23.29	
		30	0.13	0.47	2.71	7.42	23.29	
		35	0.13	0.47	2.71	7.42	23.29	
		40	0.13	0.47	2.71	7.42	23.29	
		50	0.13	0.47	2.71	7.03	22.51	
		70	0.13	0.44	2.57	7.03	22.51	
		100	0.13	0.44	2.57	7.03	22.51	

TD外形尺寸图表 / Out line dimension sheet

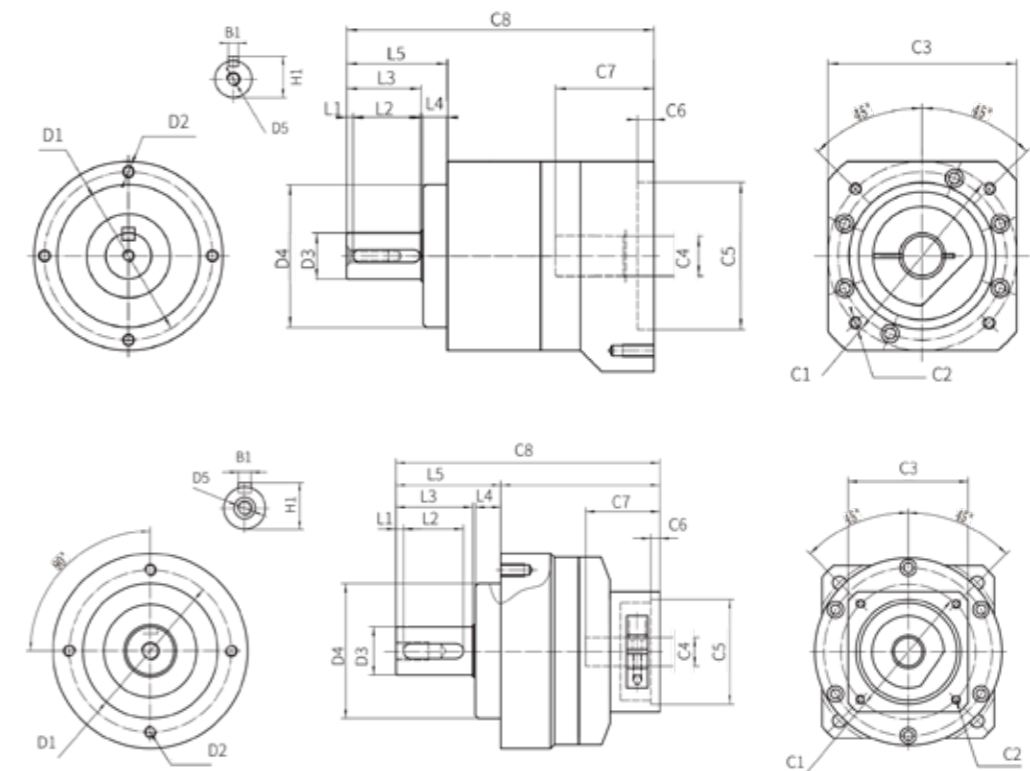


型号 size	TD075	TD075B	TD100	TD100B	TD140	TD140B	TD180	TD210
所有尺寸均以毫米为单位 all dimensions in mm								
D1 对角尺寸 diagonal dimension	85		120		165		215	250
D2 安装螺孔 mounting bore	6.6		9		11		13.5	17
D3 轴径 shaft diameter	22		32		40		55	75
D4 定位凸台 centering	70		90		130		160	180
D5 中心孔 centre bore	M6*12		M12*24		M16*32		M20*40	M20*40
L1 法兰截面 flange section	76		100		141		182	215
L2 至轴末端的距离 distance from shaft end	2		4		5		6	7
L3 键长 key width	30		50		70		70	90
L4 轴长自定位凸台起 shaft length from spigot	36		58		82		82	105
L5 定位凸台厚度 spigot depth	17.5		27		27		/	/
L6 输出轴长 shaft length from output	38.5		61		85		/	/
L7 法兰厚度 flange thickness	7		10		12		15	17
C1 对角尺寸 diagonal dimension	90	70	145	90	200	145	200	235
C2 安装螺孔*深度 mounting thread*depth	M6*12	M4*8	M8*16	M6*12	M12*24	M8*16	M12*24	M12*24
C3 法兰截面 flange section	90	60	130	90	180	130	180	220
C4 轴中心孔 pinion bore	19	14	24	19	35	24	38	48
C5 中心孔 center bore for motor	70	50	110	70	114.3	110	114.3	200
C6 电机定位凸台深度 motor location depth	6	6	6	6	10	10	10	10
C7 马达轴长度 motor shaft length	47	32.5	67	47	80	78	83	116
C8 总长 (单级) overall length (single stage)	169.5	157	226	204.5	301.25	299.25	356	400
C8 总长 (双级) overall length (two stage)	194.5	182	257	235.5	338.75	336.75	356	400
B1 键宽 key width	6		10		12		16	20
H1 space between	24.5		35		43		59	79.5

TE性能表 / Performance table

型号 Size	节数 Stage level	速比 Ratio	TE060	TE090/TE090B	TE120/TE120B	TE150/TE150B	TE205	TE235		
额定输出扭矩 T2N Nominal output torque T2N	L1	3	50	130	208	342	588	1140		
		4	50	140	290	542	1050	1700		
		5	60	160	330	650	1200	2000		
		7	50	140	300	550	1100	1800		
		10	40	100	230	450	900	1500		
		15	55	130	208	342	588	1140		
		20	50	140	290	542	1050	1700		
	L2	25	60	160	330	650	1200	2000		
		30	55	150	310	600	1100	1900		
		35	50	140	300	550	1100	1800		
		40	45	120	230	500	1000	1600		
		50	60	160	330	650	1200	2000		
		70	50	140	300	550	1100	1800		
		100	40	100	230	450	900	1500		
急停扭矩 Emergency stop	Nm		2.5倍于T2N/2.5-times of T2N							
额定输入转速 Normal input speed	Rpm	L1*L2	3-100	5000	4000	4000	3000	3000	2000	
最大输入转速 Maximum input speed	Rpm			10000	8000	8000	6000	6000	4000	
回程高精度间隙P1 low Backlash	Arcmin	L1	3-10	≤3	≤3	≤3	≤3	≤4	≤4	
		L2	12-100	≤5	≤5	≤5	≤5	≤6	≤6	
回程标准间隙P2 standard Backlash	Arcmin	L1	3-10	≤5	≤5	≤5	≤5	≤5	≤5	
		L2	12-100	≤8	≤8	≤8	≤8	≤8	≤8	
扭转刚度 Torsional stiffness	Nm/Arcmin		3-100	7	14	25	50	145	225	
最大径向力 Maximum radial force	N	L1*L2	3-100	1200	2450	4000	9000	12800	27800	
最大轴向力 Maximum axial force	N		3-100	1050	2200	4000	8300	7250	18500	
工作效率 Efficiency	%	L1	3-10	≥97	≥97	≥97	≥97	≥97	≥97	
		L2	12-100	≥94	≥94	≥94	≥94	≥94	≥94	
工作寿命 Life time	H			≥20000h						
环境温度 Operating temperature	°C			-10°C~+90°C						
润滑方式 Lubrication				终身润滑/life lubrication						
防护等级 IP degree				IP65						
安装方向 Mounting position				任何方向/All position						
噪音 Noise level	dB			≤60	≤64	≤67	≤72	≤67	≤70	
转动惯量 Moment of inertia	L1	3	0.16	0.61	3.25	9.21	28.98	69.61		
		4	0.14	0.48	2.74	7.54	23.67	54.37		
		5	0.13	0.47	2.71	7.42	23.29	53.27		
		7	0.13	0.45	2.62	7.25	22.48	50.97		
		10	0.13	0.44	2.57	7.14	22.51	50.56		
		15	0.03	0.13	0.47	7.03	7.42	23.29		
		20	0.03	0.13	0.47	2.71	7.42	23.29		
	L2	25	0.03	0.13	0.47	2.71	7.42	23.29		
		30	0.03	0.13	0.47	2.71	7.42	23.29		
		35	0.03	0.13	0.47	2.71	7.42	23.29		
		40	0.03	0.13	0.47	2.71	7.42	23.29		
		50	0.03	0.13	0.47	2.71	7.03	22.51		
		70	0.03	0.13	0.44	2.57	7.03	22.51		
		100	0.03	0.13	0.44	2.57	7.03	22.51		

TE外形尺寸图表 / Out line dimension sheet

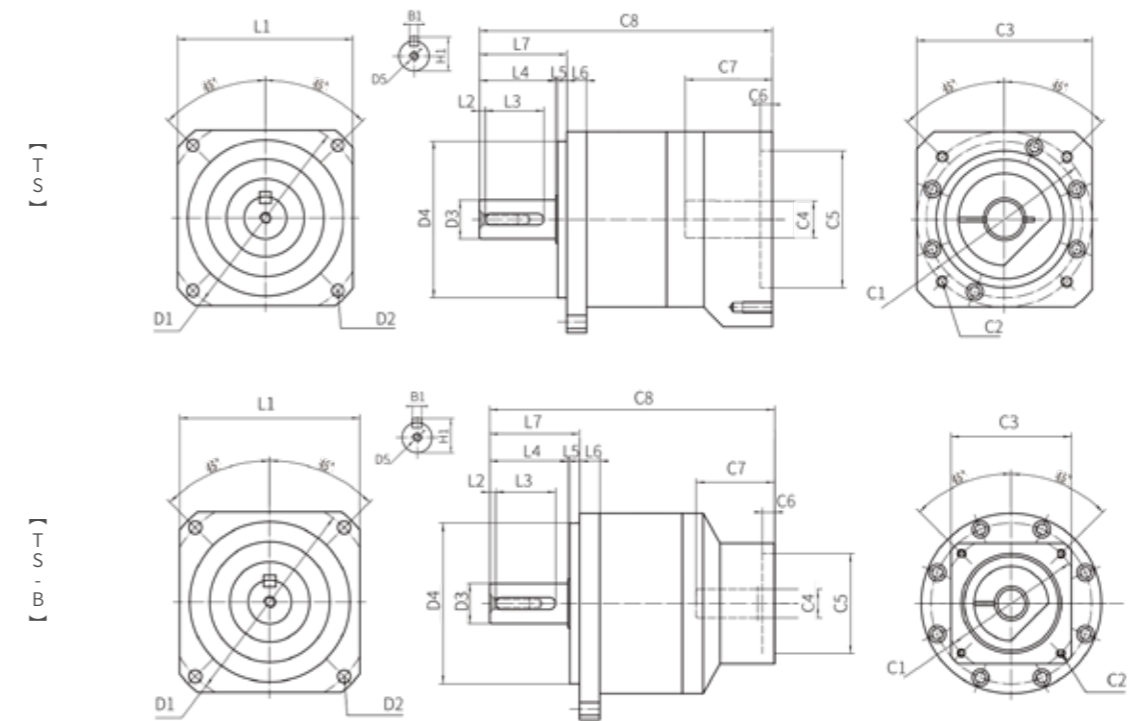


型号 size	TE060	TE090	TE090B	TE120	TE120B	TE150	TE150B	TE205	TE235
所有尺寸均以毫米为单位 all dimensions in mm									
D1 对角尺寸 diagonal dimension	62	80		108		140	184	210	
D2 安装螺孔 mounting bore	M5*10	M6*12		M8*16		M10*20	M12*24	M16*32	
D3 轴径 shaft diameter	16	22		32		40	55	75	
D4 定位凸台 centering	52	68		90		120	160	180	
D5 中心孔 centre bore	M5*12	M8*16		M12*24		M16*32	M20*40	M20*40	
L1 至轴末端的距离 distance from shaft end	3	3		5		5	6	7	
L2 键长 key width	20	30		40		65	70	90	
L3 轴长自定位凸台起 shaft length from spigot	28.5	35.5		51	17	82	15	82	105
L4 定位凸台厚度 spigot depth	6.5	11.5		17	51	15	82	15	18
L5 输出轴长 shaft length from output	36	48		70		98.5	100	126	
C1 对角尺寸 diagonal dimension	70	90	70	145	90	200	145	200	215
C2 安装螺孔*深度 mounting thread*depth	M4*8	M5*10	M4*8	M8*16	M6*12	M12*24	M8*16	M12*24	M12*24
C3 法兰截面 flange section	60	90	60	130	80	180	130	180	200
C4 轴中心孔 pinion bore	14	19	14	24	19	35	24	35	42
C5 中心孔 center bore for motor	50	70	50	110	70	114.3	110	114.3	180
C6 电机定位凸台深度 motor location depth	6	6	6	6	6	8	11	10	15
C7 马达轴长度 motor shaft length	32.5	47	39	62.5	49.5	81.5	74	85	109
C8 总长 (单级) overall length (single stage)	113	146.5	138.5	189	176	257	249.5	284	358
C8 总长 (双级) overall length (two stage)	133	174.5	166.5	226	213	310.5	303	340	407
B1 键宽 key width	5	6	6	10	10	12	12	16	20
H1 space between	18	24.5	24.5	35.5	35.5	43	43	59	79.5

TS性能表 / Performance table

型号 Size	节数 Stage level	速比 Ratio	TS060	TS090/TS090B	TS120/TS120B	TS150
额定输出扭矩 T2N Nominal output torque T2N	L1	3	42	110	188	423
		4	42	113	223	364
		5	40	118	220	423
		7	35	96	198	358
		10	27	68	155	293
	L2	15	40	109	185	423
		20	42	116	230	364
		25	40	123	228	423
		30	40	108	212	423
		35	35	100	206	258
		40	43	117	232	264
		50	40	123	228	423
		70	35	100	206	258
		100	27	70	162	293
急停扭矩 Emergency stop	Nm	2.5倍于T2N/2.5-times of T2N				
额定输入转速 Norminal input speed	Rpm	3-100	4000	3600	3600/4000	2500
最大输入转速 Maximum input speed	Rpm		6000	6000	4800	3600
回程间隙 Backlash	L1	3-10	≤5	≤5	≤5	≤5
	L2	12-100	≤8	≤8	≤8	≤8
	L1	3-10	≤5	≤5	≤5	≤5
	L2	12-100	≤8	≤8	≤8	≤8
扭转刚性 Torsional stiffness	Nm/Arcmin	N	7	14	25	60
最大径向力 Maximum radial force	N	L1*L2	1150	1530	3470	6520
最大轴向力 Maximum axial force	N		575	765	1735	3260
工作效率 Efficiency	%	L1	3-10	≥97	≥97	≥97
工作寿命 Life time	H	L2	12-100	≥94	≥94	≥94
环境温度 Operating temperature	°C	-10°C~ +45°C				
润滑方式 Lubrication		终身润滑/life lubrication				
防护等级 IP degree		IP65				
安装方向 Mounting position		任何方向/All position				
噪音 Noise level	dB		≤60	≤64	≤67	≤68
转动惯量 Moment of inertia	L1	3	0.16	0.61	3.25	36.72
		4	0.14	0.48	2.74	34.63
		5	0.13	0.47	2.71	34.24
		7	0.13	0.45	2.62	34.07
		10	0.13	0.44	2.57	34.02
	L2	15	0.03	0.13	0.47	34.02
		20	0.03	0.13	0.47	34.02
		25	0.03	0.13	0.47	34.02
		30	0.03	0.13	0.47	34.02
		35	0.03	0.13	0.47	34.02
		40	0.03	0.13	0.47	34.02
		50	0.03	0.13	0.47	34.02
		70	0.03	0.13	0.44	34.02
		100	0.03	0.13	0.44	34.02

TS外形尺寸图表 / Out line dimension sheet

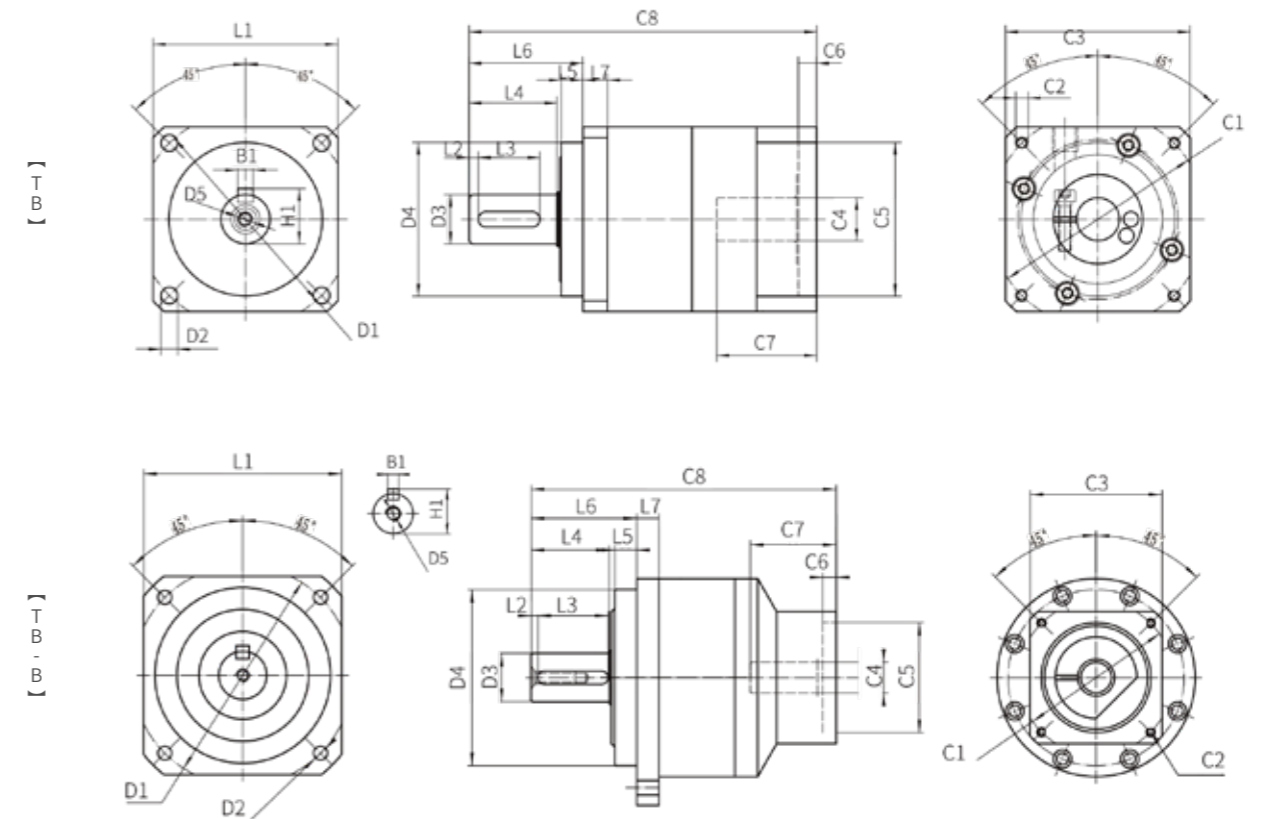


型号 size	TS060	TS090	TS090B	TS120	TS120B	TS150
所有尺寸均以毫米为单位 all dimensions in mm						
D1 对角尺寸 diagonal dimension	70	105	140	185		
D2 安装螺孔 mounting bore	5.5	6.5	9	11		
D3 轴径 shaft diameter	14	20	25	40		
D4 定位凸台 centering	50	80	110	130		
D5 中心孔 centre bore	M5*12	M6*12	M12*24	M16*32		
L1 法兰截面 flange section	60	90	120	175		
L2 至轴末端的距离 distance from shaft end	3	3	8	8		
L3 键长 key width	15	30	30	65		
L4 轴长自定位凸台起 shaft length from spigot	23.5	39.5	49.5	80		
L5 定位凸台厚度 spigot depth	3	5	5	5		
L6 法兰厚度 flange thickness	8	10	10	16		
L7 输出轴长 shaft length from output	28	45	51	87		
C1 对角尺寸 diagonal dimension	70	90	70	145	90	200
C2 安装螺纹*深度 mounting thread*depth	M4*8	M5*10	M4*8	M8*16	M6*12	M12*24
C3 法兰截面 flange section	60	90	60	130	90	176
C4 轴中心孔 pinion bore	14	19	14	24	19	35
C5 中心孔 center bore for motor	50	70	50	110	70	114.3
C6 电机定位凸台深度 motor location depth	6	6	6	6	8	7
C7 马达轴长度 motor shaft length	32.5	44.5	39	68	47	86
C8 总长 (单级) overall length (single stage)	108	150	142	200	180	292
C8 总长 (双级) overall length (two stage)	128	178	170	234	214	325
B1 键宽 key width	4	6	6	8	8	12
H1 space between	16	22.5	22.5	28	28	43

TB性能表 / Performance table

型号 Size	节数 Stage level	速比 Ratio	TB060	TB090/TB090B	TB115/TB115B	TB140/TB140B	TB180/TB180B	TB220
额定输出扭矩 T2N Nominal output torque T2N	L1	3	50	130	208	342	588	1140
		4	50	140	290	542	1050	1700
		5	60	160	330	650	1200	2000
		7	50	140	300	550	1100	1800
		10	40	100	230	450	900	1500
		15	55	130	208	342	588	1140
		20	50	140	290	542	1050	1700
	L2	25	60	160	330	650	1200	2000
		30	55	150	310	600	1100	1900
		35	50	140	300	550	1100	1800
		40	45	120	230	500	1000	1600
		50	60	160	330	650	1200	2000
		70	50	140	300	550	1100	1800
		100	40	100	230	450	900	1500
急停扭矩 Emergency stop	Nm		2.5倍于T2N/2.5-times of T2N					
额定输入转速 Normal input speed	Rpm	3-100	5000	4000	4000	3000	3000	2000
最大输入转速 Maximum input speed	Rpm		10000	8000	8000	6000	6000	4000
回程间隙 P1 Low Backlash	Arcmin	L1	3-10	<3	<3	<3	<3	<4
		L2	12-100	<5	<5	<5	<5	<6
回程间隙 P2 Standard Backlash	Arcmin	L1	3-10	<5	<5	<5	<5	<5
		L2	12-100	<8	<8	<8	<7	<8
扭转刚度 Torsional stiffness	Nm/Arcmin	N	7	14	25	50	145	225
最大径向力 Maximum radial force	N	L1*L2	3-100	1200	2450	4000	9000	14500
最大轴向力 Maximum axial force	N	3-100	1050	2200	4000	8300	7250	25000
工作效率 Efficiency	%	L1	3-10	≥97	≥97	≥97	≥97	≥97
		L2	12-100	≥94	≥94	≥94	≥94	≥94
工作寿命 Life time	H		≥20000h					
环境温度 Operating temperature	°C		-10°C~+90°C					
润滑方式 Lubrication			终身润滑/life lubrication					
防护等级 IP degree			IP65					
安装方向 Mounting position			任何方向/All position					
噪音 Noise level	dB		<60	<64	<67	<72	<67	<70
转动惯量 Moment of inertia	L1	3	0.16	0.61	3.25	9.21	28.98	69.61
		4	0.14	0.48	2.74	7.54	23.67	54.37
		5	0.13	0.47	2.71	7.42	23.29	53.27
		7	0.13	0.45	2.62	7.25	22.48	50.97
		10	0.13	0.44	2.57	7.14	22.51	50.56
		15	0.03	0.13	0.47	7.03	7.42	23.29
		20	0.03	0.13	0.47	2.71	7.42	23.29
	L2	25	0.03	0.13	0.47	2.71	7.42	23.29
		30	0.03	0.13	0.47	2.71	7.42	23.29
		35	0.03	0.13	0.47	2.71	7.42	23.29
		40	0.03	0.13	0.47	2.71	7.42	23.29
		50	0.03	0.13	0.47	2.71	7.03	22.1
		70	0.03	0.13	0.44	2.57	7.03	22.51
		100	0.03	0.13	0.44	2.57	7.03	22.51

TB外形尺寸图表 / Out line dimension sheet



型号 size	TB060	TB090	TB090B	TB115	TB115B	TB140	TB140B	TB180	TB180B	TB220
所有尺寸均以毫米为单位 all dimensions in mm										
D1 对角尺寸 diagonal dimension	70	100	130	165	215	250				
D2 安装螺孔 mounting bore	5.5	6.5	9	11	13	13.5	17			
D3 轴径 shaft diameter	16	22	32	40	55	75				
D4 定位凸台 centering	50	80	110	130	160	180				
D5 中心孔 centre bore	M5*12	M8*16	M12*24	M16*32	M20*40	M20*42	M20*40			
L1 法兰截面 flange section	60	90	115	140	180	220				
L2 至轴末端的距离 distance from shaft end	3	3	5	5	6	7				
L3 键长 key width	20	30	40	65	70	90				
L4 轴长自定位凸台起 shaft length from spigot	28.5	35.5	51	82	82	105				
L5 定位凸台厚度 spigot depth	7	10	12	13.5	20	30				
L6 输出轴长 shaft length from output	37	48	65	98.5	105	138				
L7 法兰厚度 flange thickness	8	10	10	12	15	20				
C1 对角尺寸 diagonal dimension	70	90	70	145	90	200	145	200	215	
C2 安装螺孔*深度 mounting thread*depth	M4*8	M5*10	M4*8	M8*16	M6*12	M12*24	M8*16	M12*24	M12*24	
C3 法兰截面 flange section	60	90	60	130	80	180	130	180	200	
C4 轴中心孔 pinion bore	14	19	14	24	19	35	24	35	38	42
C5 中心孔 center bore for motor	50	70	50	110	70	114.3	110	114.3	180	
C6 电机定位凸台深度 motor location depth	6	6	6	6	8	11	7	10	8	
C7 马达轴长度 motor shaft length	32.5	47	39	62.5	49.5	81.5	74	85	83	109
C8 总长(单级) overall length (single stage)	113	146.5	138.5	189	176	257	249.5	284	282	358
C8 总长(双级) overall length (two stage)	133	174.5	166.5	226	213	310.5	303	340	/	407
B1 键宽 key width	5	6	6	10	10	12	12	16	16	20
H1 间距 between	18	24.5	24.5	35.5	35.5	43	43	59	59	79.5

转角输出系列

CORNER OUTPUT SERIES

特征 CHARACTERISTIC

- 01/** 行星齿轮的传动介面采用不含保持器满针滚针轴承，提高结构刚性及输出扭矩
The transmission interface of the planetary gear adopts a full needle roller bearing without a retainer to improve structural rigidity and output torque
- 02/** 行星臂架与输出轴采用一体式设计，并采用一次装夹完成加工，确保传动元件同心度，提高扭转刚性和精度
The planetary arm carrier and the output shaft adopt an integrated design, and the processing is completed in one clamping to ensure the concentricity of the transmission element and improve the torsional rigidity and accuracy
- 03/** 标准品回程间隙≤8弧分，定制品回程间隙≤5弧分
Standard product return gap ≤ 8 arc minutes, customized product return gap ≤ 5 arc minutes
- 04/** 单级96%以上，双级92%以上
More than 96% of single-stage, more than 92% of double-stage
- 05/** 转角系列减速机采用蜗线伞齿轮设计，容许伺服马达高转速输入，高输出扭矩、低运转背隙
The angle series reducer adopts the worm-bevel gear design, which allows high-speed input of the servo motor, high output torque, and low running backlash.
- 06/** 使用全合成润滑脂，并采用IP65防护等级的密封设计，润滑油不泄露免维护
Fully synthetic grease is used, and the sealing design of IP65 protection level is adopted, and the lubricating oil does not leak and is maintenance-free
- 07/** 输入端与电机的连接方式采用筒夹式锁紧机构并经过动平衡分析，以确保在高输出转速下结合介面的同心度和零背隙的动力传递
Fully synthetic grease is used, and the sealing design of IP65 protection level is adopted, and the lubricating oil does not leak and is maintenance-free
The connection between the input end and the motor adopts a collet-type locking mechanism and undergoes dynamic balance analysis to ensure the concentricity of the interface and zero backlash power transmission at high output speeds

CORNER OUTPUT SERIES

转角输出系列



TNR --- 090 --- R010 ---- P1

Precision/精度
P0<1 arc min
P1<3 arc min
P2<5 arc min
P3< standard

Ratio/减速比
R 3~100

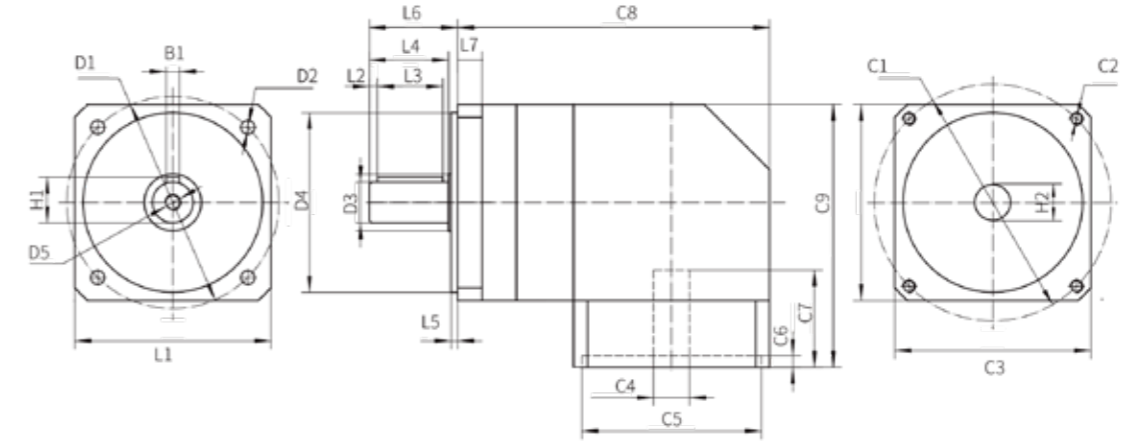
Size/规格
040/060/064/075/090/100/
110/120/140/155/180/200/
205/210/220/235/255

Model/系列
Angle output series 转角输出系列: TYKR/TNKR/TYKHR/TAR/TNR/TER/TSR/TBR/TDR

TYKR性能表 / Performance table

型号 Size	节数 Stage level	速比 Ratio	TYKR040	TYKR060	TYKR090	TYKR120	TYKR150	
额定输出扭矩 T2N Nominal output torque T2N	L1	3	/	22	96	155	/	
		4	13	34	122	216	/	
		5	15	35	122	223	460	
		7	12	27	95	164	690	
		10	9	16	56	90	690	
	L2	15	/	28	96	155	625	
		20	15	35	122	230	460	
		25	15	37	122	237	690	
		30	/	25	96	164	960	
		35	15	35	122	237	/	
		40	13	35	122	230	690	
		50	15	37	122	237	690	
		70	12	30	95	174	690	
		100	9	16	56	90	690	
急停扭矩 Emergency stop	Nm	2倍于T2N/2-times of T2N						
额定输入转速 Normal input speed	Rpm	3-100	4500	4000	6000	4800	3000	
最大输入转速 Maximum input speed	Rpm		10000	8000	3500	3000	4500	
回程高精度间隙P1 Low Backlash	Arcmin	L1	3-10	≤8	≤8	≤8	≤8	
回程标准间隙P2 Standard Backlash	Arcmin	L2	12-100	≤12	≤12	≤12	≤12	
		L1	3-10	≤12	≤16	≤16	≤16	
扭转刚性 Torsional stiffness	Nm/Arcmin	L2	12-100	≤15	≤20	≤20	≤20	
		N		0.65	2	6.2	11.2	50
最大径向力 Maximum radial force	N	L1*L2	3-100	165	320	680	1730	3700
最大轴向力 Maximum axial force	N			135	260	620	1270	3500
工作效率 Efficiency	%	L1	3-10	≥96%	≥96%	≥96%	≥96%	≥96%
		L2	12-100	≥92%	≥92%	≥92%	≥92%	≥92%
工作寿命 Life time	H	L1*L2	3-100	≥20000h				
环境温度 Operating temperature	°C			-20°C~+80°C				
润滑方式 Lubrication				终身润滑/life lubrication				
防护等级 IP degree				IP65				
安装方向 Mounting position				任何方向/All position				
噪音 Noise level	dB			≤60	≤58	≤60	≤65	≤68
转动惯量 Moment of inertia	L1	3	/	0.28	1.55	7.3	/	
		4	0.03	0.27	1.5	7	/	
		5	0.03	0.27	1.49	6.97	12.14	
		7	0.025	0.25	1.24	6.26	7.75	
		10	0.022	0.25	1.24	6.24	7.75	
		L2	15	/	0.26	1.31	6.9	7.12
			20	0.03	0.27	1.28	6.67	6.24
			25	0.03	0.27	1.28	6.67	12.35
			30	/	0.25	1.27	6.66	12.3
			35	0.025	0.25	1.27	6.65	/
	40		0.025	0.27	1.27	6.65	7.45	
	50		0.022	0.22	1.1	6.3	7.35	
	70		0.022	0.22	1.1	6.3	7.31	
	100		0.022	0.22	1.1	6.3	7.2	

TYKR外形尺寸图表 / Out line dimension sheet

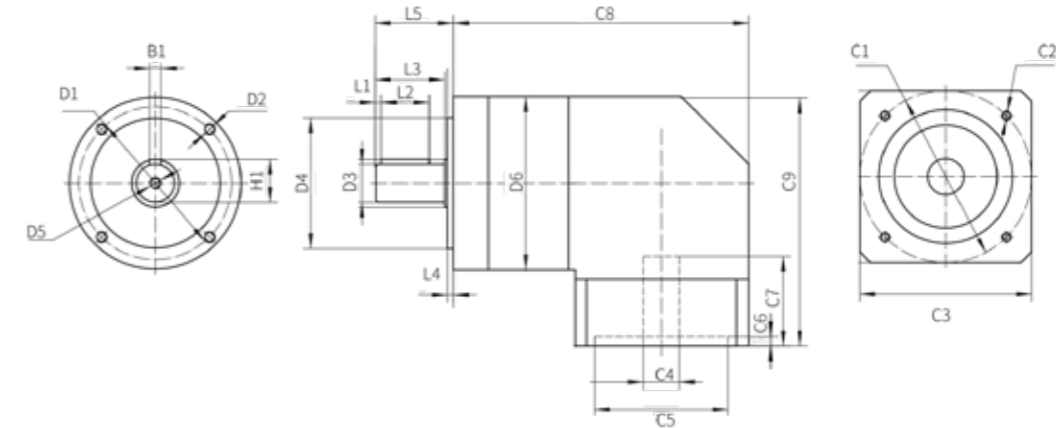


型号 size	TYKR040	TYKR060	TYKR090	TYKR120	TYKR150
所有尺寸均以毫米为单位 all dimensions in mm					
D1 对角尺寸 diagonal dimension	50	70	100	130	165
D2 安装螺孔 mounting bore	3.5	5.5	6.5	8.5	10.5
D3 轴径 shaft diameter	13	14	20	25	40
D4 定位凸台 centering	35	50	80	110	130
D5 中心孔 centre bore	M4	M5	M6	M10	M12
D6 截面直径 cross sectional diameter	42	60	90	120	142
L1 法兰截面 flange section	42	60	90	120	142
L2 至轴末端的距离 distance from shaft end	3	3	3	5	5
L3 键长 key width	15	20	25	40	70
L4 轴长自定位凸台起 shaft length from spigot	22.5	31	36	48.5	80
L5 定位凸台厚度 spigot depth	3	3	3	4	5
L6 输出轴长 shaft length from output	26	35	40.5	54	87
L7 法兰厚度 flange thickness	4	10	12	15	15
C1 对角尺寸 diagonal dimension	45	70	90	145	200
C2 安装螺纹*深度 mounting thread*depth	M3	M4	M5	M8	M12
C3 法兰截面 flange section	42	60	90	120	180
C4 轴中心孔 pinion bore	8	14	19	22	35
C5 中心孔 center bore for motor	30	50	70	110	114.3
C6 电机定位凸台深度 motor location depth	4	5	5	8	10
C7 马达轴长度 motor shaft length	27	31.5	47	59.5	82
C8 总长 (单级) overall length (single stage)	74.5	111.5	153.5	191	253
C8 总长 (双级) overall length (two stage)	87	127.5	177.5	222	300
C9 总高度 total height	70	100.5	130	160.8	221
B1 键宽 key width	5	5	6	8	12
H1 space between	15	16	22.5	28	43
B2 键宽 key width	/	/	/	/	10
H2 space between	/	/	/	/	38.3

TNKR性能表 / Performance table

型号 Size	节数 Stage level	速比 Ratio	TNKR060	TNKR090	TNKR120
额定输出扭矩 T2N Nominal output torque T2N	L1	3	22	96	155
		4	34	122	216
		5	35	122	223
		7	27	95	164
		10	16	56	90
	L2	15	28	96	155
		20	35	122	230
		25	37	122	237
		30	25	96	164
		35	35	122	237
		40	35	122	230
		50	37	122	237
		70	30	95	174
		100	16	56	90
急停扭矩 Emergency stop	Nm	2倍于T2N/2-times of T2N			
额定输入转速 Norminal input speed	Rpm	3-100	4000	3500	3000
最大输入转速 Maximum input speed	Rpm		8000	6000	4800
回程高精度间隙P1 Low Backlash	Arcmin	L1	3-10	≤8	≤8
		L2	12-100	≤12	≤12
回程标准间隙P2 Standard Backlash	Arcmin	L1	3-10	≤16	≤16
		L2	12-100	≤20	≤20
扭转刚性 Torsional stiffness	Nm/Arcmin	N	2	6.2	11.1
最大径向力 Maximum radial force	N	L1*L2	3-100	320	680
最大轴向力 Maximum axial force	N	L1*L2	3-100	260	620
工作效率 Efficiency	%	L1	3-10	≥96%	
		L2	12-100	≥92%	
工作寿命 Life time	H	≥20000h			
环境温度 Operating temperature	°C	-20°C~+80°C			
润滑方式 Lubrication		终身润滑/life lubrication			
防护等级 IP degree		IP65			
安装方向 Mounting position		任何方向/All position			
噪音 Noise level	dB		≤58	≤60	≤65
转动惯量 Moment of inertia	L1	3	0.28	1.55	7.3
		4	0.27	1.5	7
		5	0.27	1.49	6.97
		7	0.25	1.24	6.26
		10	0.25	1.24	6.24
	L2	15	0.26	1.31	6.9
		20	0.27	1.28	6.67
		25	0.27	1.28	6.67
		30	0.25	1.27	6.66
		35	0.25	1.27	6.65
		40	0.27	1.27	6.65
		50	0.22	1.1	6.3
		70	0.22	1.1	6.3
		100	0.22	1.1	6.3

TNKR外形尺寸图表 / Out line dimension sheet

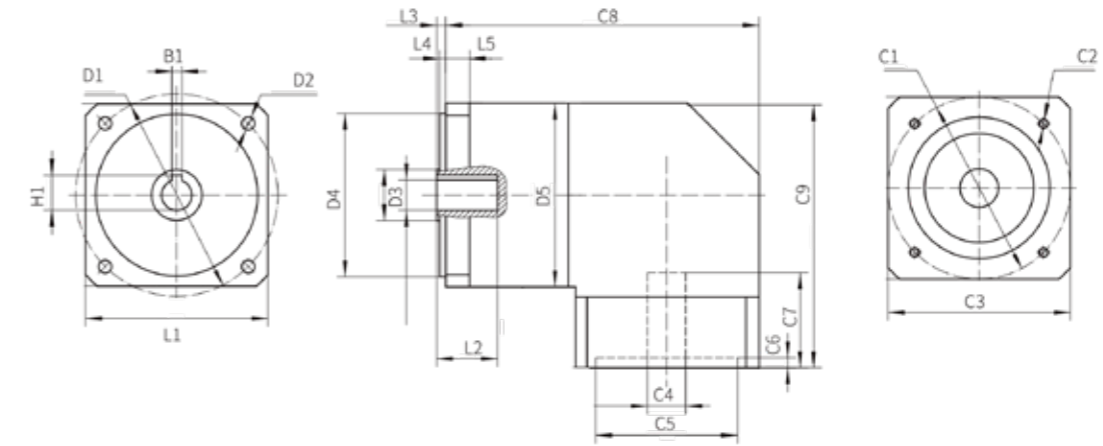


型号 size	TNKR060	TNKR090	TNKR120
所有尺寸均以毫米为单位 all dimensions in mm			
D1 对角尺寸 diagonal dimension	52	80	100
D2 安装螺孔 mounting bore	M5	M6	M10
D3 轴径 shaft diameter	14	20	25
D4 定位凸台 centering	40	68	80
D5 中心孔 centre bore	M5	M6	M10
D6 截面直径 cross sectional diameter	60	90	120
L1 至轴末端的距离 distance from shaft end	3	3	5
L2 键长 key width	20	25	40
L3 轴长自定位凸台起 shaft length from spigot	31	36	48.5
L4 定位凸台厚度 spigot depth	3	3	4
L5 输出轴长 shaft length from output	35	40.5	54
C1 对角尺寸 diagonal dimension	70	90	145
C2 安装螺纹*深度 mounting thread*depth	M4	M5	M8
C3 法兰截面 flange section	60	90	120
C4 轴中心孔 pinion bore	14	19	22
C5 中心孔 center bore for motor	50	70	110
C6 电机定位凸台深度 motor location depth	5	5	8
C7 马达轴长度 motor shaft length	31.5	47	59.5
C8 总长 (单级) overall length (single stage)	111.5	153.5	191
C8 总长 (双级) overall length (two stage)	127.5	177.5	222
C9 总高度 total height	100.5	130	160.8
B1 键宽 key width	5	6	8
H1 space between	16	22.5	28

TYKHR性能表 / Performance table

型号 Size	节数 Stage level	速比 Ratio	TYKHR060	TYKHR090	TYKHR120	
额定输出扭矩 T2N Nominal output torque T2N	L1	3	22	96	155	
		4	34	122	216	
		5	35	122	223	
		7	27	95	164	
		10	16	56	90	
	L2	15	28	96	206	
		20	35	122	230	
		25	37	122	237	
		30	25	96	164	
		35	35	96	237	
		40	35	122	230	
	L2	50	37	122	237	
		70	30	95	174	
		100	16	56	90	
		急停扭矩 Emergency stop	Nm	2倍于T2N/2-times of T2N		
	额定输入转速 Norminal input speed	Rpm	3-100	4000	3500	3000
最大输入转速 Maximum input speed	Rpm		8000	6000	4800	
回程高精间隙P1 Low Backlash	Arcmin	L1	3-10	≤8	≤8	≤8
回程标准间隙P2 Standard Backlash	Arcmin	L2	12-100	≤12	≤12	≤12
		L1	3-10	≤16	≤16	≤16
扭转刚性 Torsional stiffness	Nm/Arcmin	L2	12-100	≤20	≤20	≤20
		N		2	6.2	11.1
最大径向力 Maximum radial force	N	L1*L2	3-100	320	680	1730
最大轴向力 Maximum axial force	N			260	620	1270
工作效率 Efficiency	%	L1	3-10	≥96%		
		L2	12-100	≥92%		
工作寿命 Life time	H			≥20000h		
环境温度 Operating temperature	°C			-20°C- +80°C		
润滑方式 Lubrication		L1*L2	3-100	终身润滑/life lubrication		
防护等级 IP degree				IP65		
安装方向 Mounting position				任何方向/All position		
噪音 Noise level	dB			≤58	≤60	≤65
转动惯量 Moment of inertia	L1	3	0.28	1.55	7.3	
		4	0.27	1.5	7	
		5	0.27	1.49	6.97	
		7	0.25	1.24	6.26	
		10	0.25	1.24	6.24	
		L2	15	0.26	1.31	6.9
			20	0.27	1.28	6.67
			25	0.27	1.28	6.67
			30	0.25	1.27	6.66
			35	0.25	1.27	6.66
	40		0.27	1.27	6.65	
	L2	50	0.22	1.1	6.3	
		70	0.22	1.1	6.3	
		100	0.22	1.1	6.3	

TYKHR外形尺寸图表 / Out line dimension sheet

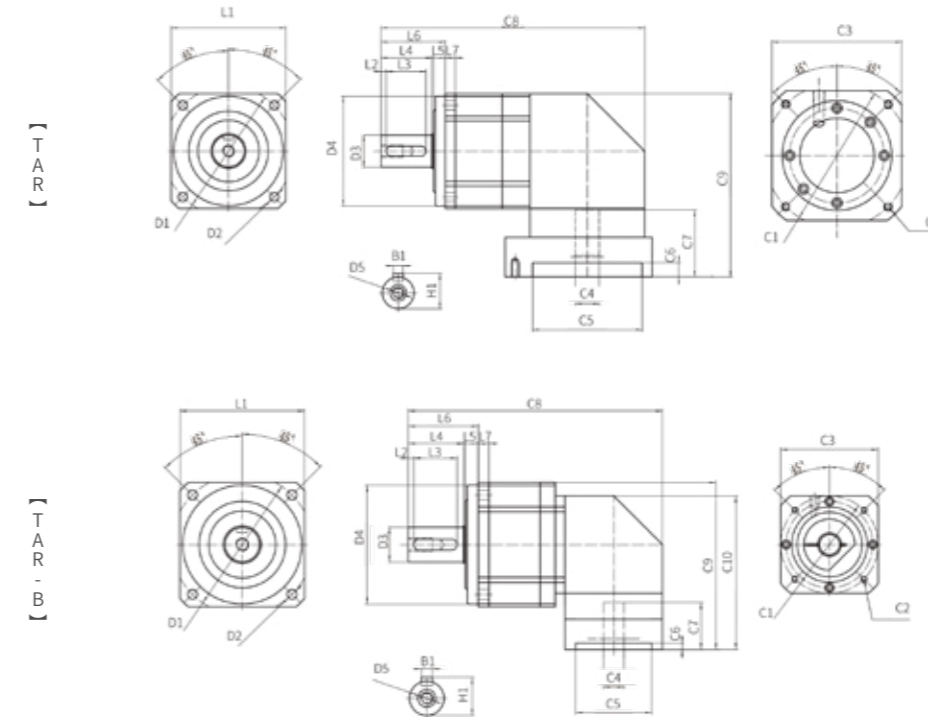


型号 size	TYKHR060	TYKHR090	TYKHR120
所有尺寸均以毫米为单位 all dimensions in mm			
D1 对角尺寸 diagonal dimension	70	100	130
D2 安装螺孔 mounting bore	5.5	6.5	8.5
D3 定位孔径 positioning aperture	10	15	20
D4 定位凸台 centering	50	80	110
D5 截面直径 cross sectional diameter	60	90	120
L1 法兰截面 flange section	60	90	120
L2 定位孔径深度 positioning aperture depth	20	30	40
L3 定位凸台总长 total length of positioning boss	4	4.5	5.5
L4 定位凸台厚度 spigot depth	3	3	4
L5 法兰厚度 flange thickness	10	12	15
C1 对角尺寸 diagonal dimension	70	90	145
C2 安装螺纹*深度 mounting thread*depth	M4	M5	M8
C3 法兰截面 flange section	60	90	120
C4 轴中心孔 pinion bore	14	19	22
C5 中心孔 center bore for motor	50	70	110
C6 电机定位凸台深度 motor location depth	5	5	8
C7 马达轴长度 motor shaft length	31.5	47	59.5
C8 总长 (单级) overall length (single stage)	111.5	153.5	191
C8 总长 (双级) overall length (two stage)	127.5	177.5	222
C9 总高度 total height	100.5	130	160.8
B1 键宽 key width	3	5	6
H1 space between	11.4	17.3	22.8

TAR性能表 / Performance table

型号 Size	节数 Stage level	速比 Ratio	TAR060	TAR090/TAR090BTAR115/TAR115B	TAR140	TAR180	TAR220		
额定输出扭矩 T2N Nominal output torque T2N	L1	3	36	90	195	550	1100	1860	
		4	48	120	260	600	1250	1950	
		5	60	150	325	590	1200	1900	
		7	50	140	300	540	1050	1760	
	L2	10	40	100	230	520	1000	1120	
		15	36	90	300	530	1100	1800	
		20	48	110	230	530	1150	1800	
		25	60	150	325	590	1200	1800	
		30	55	150	310	550	1100	1830	
		35	50	140	300	540	1100	1800	
		40	45	100	260	500	1000	1600	
		50	60	160	230	580	1200	1670	
		70	50	140	300	520	1100	1600	
		100	40	100	230	450	900	1500	
急停扭矩 Emergency stop	Nm	2.5倍于T2N/2.5-times of T2N							
额定输入转速 Norminal input speed	Rpm	3-100	5000	4000	4000	2500	2000	2000	
最大输入转速 Maximum input speed	Rpm	3-100	10000	8000	8000	4500	4500	4000	
回程标准间隙 P2 Low Backlash		L1	≤7	≤7	≤7	≤8	≤8	≤8	
		L2	≤10	≤10	≤10	≤10	≤10	≤10	
扭转刚性 Torsional stiffness	Nm/Arcmin	3-100	7	14	25	56	140	220	
最大径向力 Maximum radial force	N	L1*L2	3-100	1200	2450	4000	9400	14500	50000
最大轴向力 Maximum axial force	N	L1*L2	3-100	1050	2200	4000	4700	7200	28000
工作效率 Efficiency	%	L1	3-10	≥93	≥95	≥95	≥93	≥93	≥93
		L2	12-100	≥92	≥92	≥92	≥90	≥90	≥90
工作寿命 Life time	H			≥20000h					
环境温度 Operating temperature	°C			-10°C~ +90°C					
润滑方式 Lubrication		L1*L2	3-100	终身润滑/life lubrication					
防护等级 IP degree				IP65					
安装方向 Mounting position				任何方向/All position					
噪音 Noise level	dB			≤64	≤67	≤70	≤70	≤72	≤74
转动惯量 Moment of inertia	L1	3	0.35	2.25	6.84	23.4	68.9	135.4	
		4	0.35	2.25	6.84	23.4	68.9	135.4	
		5	0.35	2.25	6.84	23.4	68.9	135.4	
		7	0.35	2.25	6.84	23.4	68.9	135.4	
		10	0.35	2.25	6.84	23.4	68.9	135.4	
		15	0.09	0.35	2.25	6.84	23.4	68.9	
		20	0.09	0.35	2.25	6.84	23.4	68.9	
		25	0.09	0.35	2.25	6.84	23.4	68.9	
		30	0.09	0.35	2.25	6.84	23.4	68.9	
		35	0.09	0.35	2.25	6.84	23.4	68.9	
	L2	40	0.09	0.35	2.25	6.84	23.4	68.9	
		50	0.09	0.35	2.25	6.84	23.4	68.9	
		70	0.09	0.35	2.25	6.84	23.4	68.9	
		100	0.09	0.35	2.25	6.84	23.4	68.9	

TAR外形尺寸图表 / Out line dimension sheet

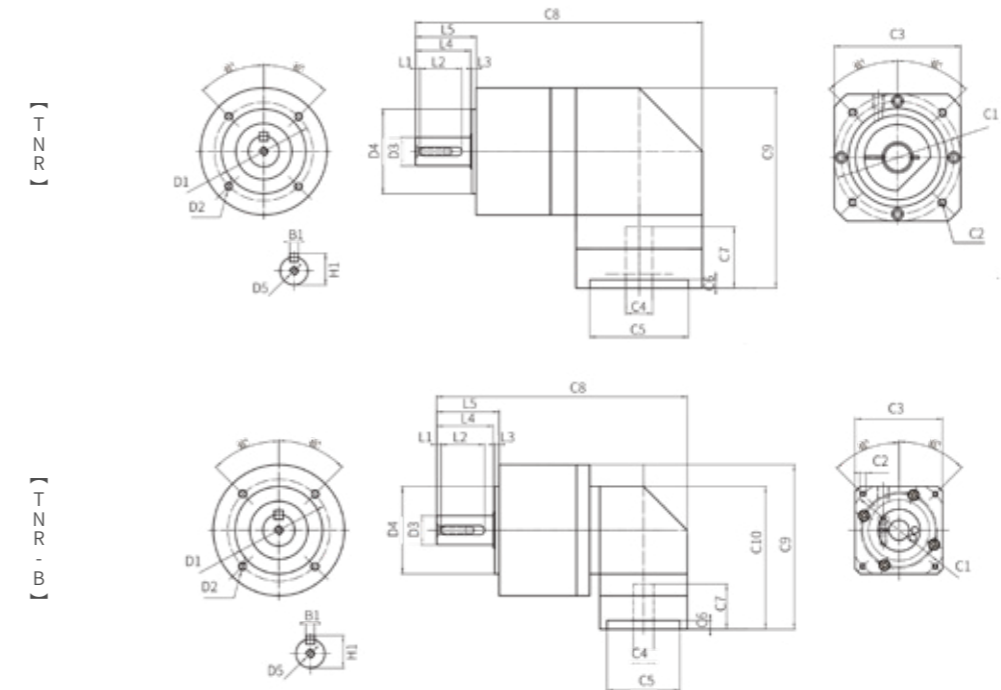


型号 size	TAR060	TAR090	TAR090B	TAR115	TAR115B	TAR140	TAR180	TAR220
所有尺寸均以毫米为单位 all dimensions in mm								
D1 对角尺寸 diagonal dimension	70	100		130	165	215	250	
D2 安装螺孔 mounting bore	5.5	6.5		9	11	13	17	
D3 轴径 shaft diameter	16	22		32	40	55	75	
D4 定位凸台 centering	50	80		110	130	160	180	
D5 中心孔 centre bore	M5*12	M8*16		M12*24	M16*32	M20*40	M20*40	
L1 法兰截面 flange section	60	90		115	142	180	220	
L2 至轴末端的距离 distance from shaft end	3	3		5	5	6	7	
L3 键长 key width	20	30		40	65	70	90	
L4 轴长自定位凸台起 shaft length from spigot	28.5	35.5		51	79	82	105	
L5 定位凸台厚度 spigot depth	7	10		10	15	20	30	
L6 输出轴长 shaft length from output	37	48		65	97	105	138	
L7 法兰厚度 flange thickness	8	10		10	12	15	20	
C1 对角尺寸 diagonal dimension	70	90	70	145	90	200	200	235
C2 安装螺纹*深度 mounting thread*depth	M4*8	M5*10	M4*8	M8*16	M5*10	M12*24	M12*24	M12*24
C3 法兰截面 flange section	60	90	60	130	90	142	180	220
C4 轴中心孔 pinion bore	14	19	14	24	19	35	38	55
C5 中心孔 center bore for motor	50	70	50	110	70	114.3	180	215
C6 电机定位凸台深度 motor location depth	6	6	6	14	6	14	15	7
C7 马达轴长度 motor shaft length	32.5	43.5	31	67	43.5	81	85	85
C8 总长 (单级) overall length (single stage)	146.5	200.5	168.5	265	235	352	394	484
C8 总长 (双级) overall length (two stage)	166.5	228.5	196.5	302	272	378	427	521
C9 总高度 total height	98	142	113	183.5	159.5	230	303.5	378.5
C10 高度 height	/	/	98	/	142	/	/	/
B1 键宽 key width	5	6	6	10	10	12	16	20
H1 space between	18	24.5	24.5	35.5	35.5	43	59	79.5

TNR性能表 / Performance table

型号 Size	节数 Stage level	速比 Ratio	TNR060	TNR090/TNR090E	TNR120/TNR120B	
额定输出扭矩 T2N Nominal output torque T2N	L1	3	42	110	188	
		4	42	113	223	
		5	40	118	220	
		7	35	96	198	
		10	27	68	155	
	L2	15	40	109	186	
		20	42	116	230	
		25	40	123	228	
		30	40	108	212	
		35	35	100	206	
	L2	40	43	117	232	
		50	40	123	228	
		70	35	100	206	
		100	27	70	162	
急停扭矩 Emergency stop		Nm	2.5倍于T2N/2.5-times of T2N			
额定输入转速 Normal input speed	Rpm	L1*L2	3~100	400	3600	3600/4000
最大输入转速 Maximum input speed	Rpm	L1*L2	3~100	6000	6000	4800
回程标准间隙P2 Standard Backlash	Arcmin	L1	3~10	≤8	≤8	≤8
	Arcmin	L2	12~100	≤12	≤12	≤12
扭转刚性 Torsional stiffness	Nm/Arcmin	L1*L2	3~100	7	14	25
最大径向力 Maximum radial force	N	L1*L2	3~100	1030	1570	3590
最大轴向力 Maximum axial force	N	L1*L2	3~100	515	785	1795
工作效率 Efficiency	%	L1	3~10	≥95	≥95	≥95
	%	L2	12~100	≥92	≥92	≥92
工作寿命 Life time	H	L1*L2	3~100	≥20000h(hour)		
环境温度 Operating temperature	°C			-10°C~+90°C		
润滑方式 Lubrication				终身润滑/life lubrication		
防护等级 IP degree				IP65		
安装方向 Mounting position				任何方向/All position		
噪音 Noise level	dB	L1*L2	3~100	≤66	≤68	≤72
转动惯量 Moment of inertia	L1	3	0.16	0.61	3.25	
		4	0.14	0.48	2.74	
		5	0.13	0.47	2.71	
		7	0.13	0.45	2.62	
		10	0.13	0.44	2.57	
	L2	15	0.03	0.13	0.47	
		20	0.03	0.13	0.47	
		25	0.03	0.13	0.47	
		30	0.03	0.13	0.47	
		35	0.03	0.13	0.47	
		40	0.03	0.13	0.47	
		50	0.03	0.13	0.47	
		70	0.03	0.13	0.44	
		100	0.03	0.13	0.44	

TNR外形尺寸图表 / Out line dimension sheet

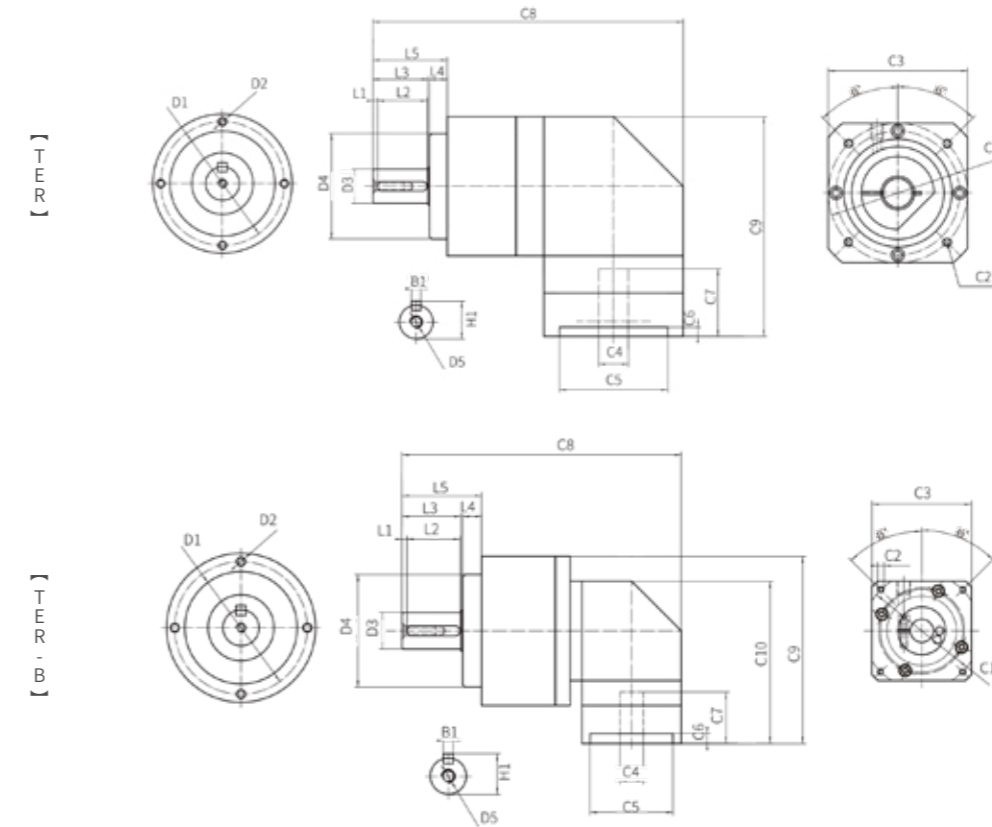


型号 size	TNR060	TNR090	TNR090B	TNR120	TNR120B
所有尺寸均以毫米为单位 all dimensions in mm					
D1 对角尺寸 diagonal dimension	52	70		100	
D2 安装螺孔 mounting bore	M5*10	M6*12		M10*20	
D3 轴径 shaft diameter	14	20		25	
D4 定位凸台 centering	40	60		80	
D5 中心孔 centre bore	M5*12	M6*12		M12*24	
L1 至轴末端的距离 distance from shaft end	3	3		8	
L2 键长 key width	15	30		30	
L3 定位凸台厚度 spigot depth	3.5	3		4	
L4 轴长自定位凸台起 shaft length from spigot	23.5	39		49.5	
L5 输出轴长 shaft length from output	28	43		55	
C1 对角尺寸 diagonal dimension	70	90	70	145	90
C2 安装螺纹*深度 mounting thread*depth	M4*8	M5*10	M4*8	M8*16	M5*10
C3 法兰截面 flange section	60	90	60	130	90
C4 轴中心孔 pinion bore	14	19	14	24	19
C5 中心孔 center bore for motor	50	70	50	110	70
C6 电机定位凸台深度 motor location depth	6	6	6	14	6
C7 马达轴长度 motor shaft length	32.5	43.5	31	67	43.5
C8 总长 (单级) overall length (single stage)	141.5	204	172	263	261
C8 总长 (双级) overall length (two stage)	161.5	232	200	297	295
C9 总高度 total height	98	142	113	183.5	159.5
C10 高度 height	/	/	98	/	142
B1 键宽 key width	4	6		8	
H1 间距 between	16	22.5		28	

TER性能表 / Performance table

型号 Size	节数 Stage level	速比 Ratio	TER060	TER090/TER090B	TER120/TER120B	TER150	TER205	TER235	
额定输出扭矩 T2N Nominal output torque T2N	L1	3	36	90	195	550	100	1860	
		4	48	120	260	600	1250	1950	
		5	60	150	325	590	1200	1900	
		7	50	140	300	540	1050	1760	
		10	40	100	230	520	1000	1120	
	L2	15	36	90	300	530	1100	1800	
		20	48	110	230	530	1150	1800	
		25	60	150	325	590	1200	1800	
		30	55	150	310	550	1100	1830	
		35	50	140	300	540	1100	1800	
	L1*L2	40	45	100	260	500	1000	1600	
		50	60	160	230	580	1200	1670	
		70	50	140	300	520	1100	1600	
		100	40	100	230	450	900	1500	
急停扭矩 Emergency stop		Nm	2.5倍于T2N/2.5-times of T2N						
额定输入转速 Norminal input speed	Rpm	3~100	5000	4000	4000	2500	2000	2000	
最大输入转速 Maximum input speed			10000	8000	8000	4500	4500	4000	
回程间隙P2 Low Backlash		L1	3~10	≤7	≤7	≤7	≤8	≤8	
		L2	12~100	≤10	≤10	≤10	≤10	≤10	
扭转刚性 Torsional stiffness	Nm/Arcmin	N	7	14	25	56	140	220	
最大径向力 Maximum radial force	N	L1*L2	3~100	1200	2450	4000	9400	14500	50000
最大轴向力 Maximum axial force				1050	2200	4000	4700	7200	28000
工作效率 Efficiency	%	L1	3~10	≥95	≥95	≥95	≥93	≥93	
		L2	12~100	≥92	≥92	≥92	≥90	≥90	
工作寿命 Life time	H			≥20000h					
环境温度 Operating temperature	°C			-10°C- +90°C					
润滑方式 Lubrication				终身润滑/life lubrication					
防护等级 IP degree				IP65					
安装方向 Mounting position				任何方向/All position					
噪音 Noise level	dB			≤64	≤67	≤70	≤70	≤72	≤74
转动惯量 Moment of inertia	L1	3	0.35	2.25	6.84	23.4	68.9	135.4	
		4	0.35	2.25	6.84	23.4	68.9	135.4	
		5	0.35	2.25	6.84	23.4	68.9	135.4	
		7	0.35	2.25	6.84	23.4	68.9	135.4	
		10	0.35	2.25	6.84	23.4	68.9	135.4	
	L2	15	0.09	0.35	2.25	6.84	23.4	68.9	
		20	0.09	0.35	2.25	6.84	23.4	68.9	
		25	0.09	0.35	2.25	6.84	23.4	68.9	
		30	0.09	0.35	2.25	6.84	23.4	68.9	
		35	0.09	0.35	2.25	6.84	23.4	68.9	
		40	0.09	0.35	2.25	6.84	23.4	68.9	
		50	0.09	0.35	2.25	6.84	23.4	68.9	
		70	0.09	0.35	2.25	6.84	23.4	68.9	
		100	0.09	0.35	2.25	6.84	23.4	68.9	

TER外形尺寸图表 / Out line dimension sheet

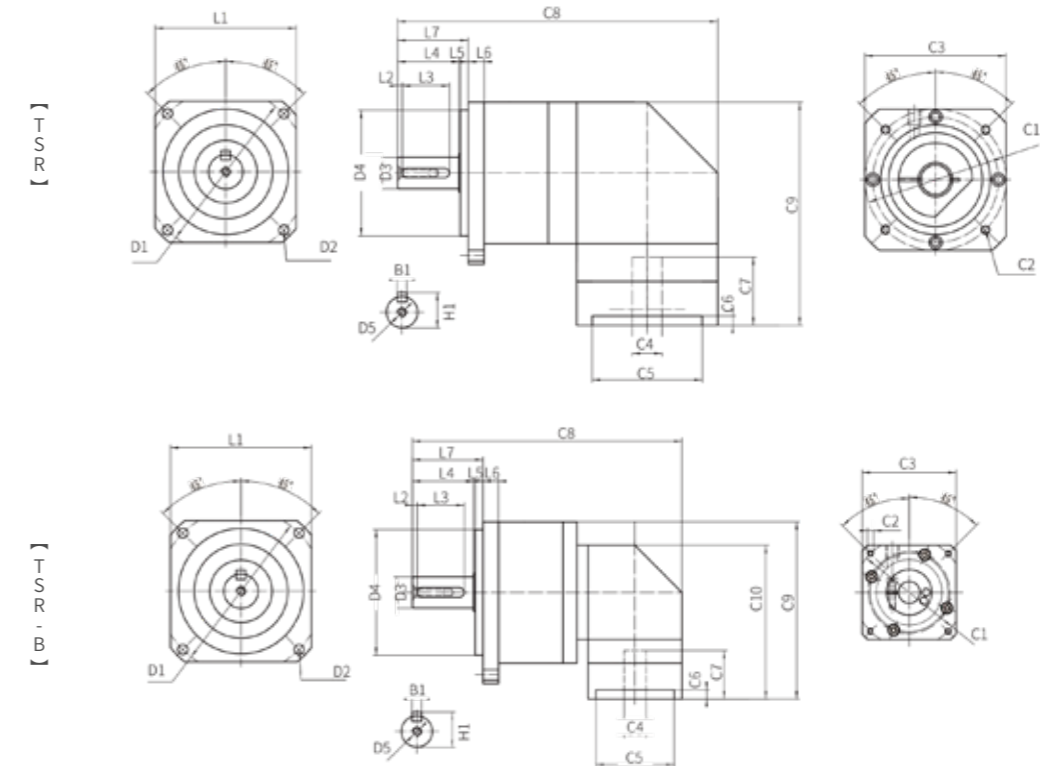


型号 size	TER060	TER090	TER090B	TER120	TER120B	TER150	TER205	TE235
所有尺寸均以毫米为单位 all dimensions in mm								
D1 对角尺寸 diagonal dimension	62	80		108	140	184	210	
D2 安装螺孔 mounting bore	M5*10	M6*12		M8*16	M10*20	M12*24	M16*32	
D3 轴径 shaft diameter	16	22		32	40	55	75	
D4 定位凸台 centering	52	68		90	120	160	180	
D5 中心孔 centre bore	M5*12	M8*16		M12*24	M16*32	M20*40	M20*40	
L1 至轴末端的距离 distance from shaft end	3	3		5	5	6	7	
L2 键长 key width	20	30		40	65	70	90	
L3 轴长自定位凸台起 shaft length from spigot	28.5	35.5		51	82	82	105	
L4 定位凸台厚度 spigot depth	6.5	11.5		17	15	15	18	
L5 输出轴长 shaft length from output	36	48		70	98.5	100	126	
C1 对角尺寸 diagonal dimension	70	90		145	165	215	235	
C2 安装螺纹*深度 mounting thread*depth	M4*8	M5*10		M8*16	M10*20	M12*24	M12*24	
C3 法兰截面 flange section	60	90		130	142	190	220	
C4 轴中心孔 pinion bore	14	19		24	38	48	55	
C5 中心孔 center bore for motor	50	70		110	130	180	200	
C6 电机定位凸台深度 motor location depth	6	6		14	6	6	6	
C7 马达轴长度 motor shaft length	31	43.5		67	130	180	220	
C8 总长 (单级) overall length (single stage)	146.5	200.5	168.5	265	235	324.5	379.5	461.5
C8 总长 (双级) overall length (two stage)	166.5	228.5	196.5	302	272	358	422.5	506.5
C9 总高度 total height	98	142	113	183.5	159.5	245.5	316	398.5
C10 高度 height	/	/	98	/	142	/	/	/
B1 键宽 key width	5	6	6	10	10	12	16	20
H1 space between	18	24.5	24.5	35.5	35.5	43	59	79.5

TSR性能表 / Performance table

型号 Size	节数 Stage level	速比 Ratio	TSR060	TSR090/TSR090B	TSR120/TSR120B	
额定输出扭矩 T2N Nominal output torque T2N	L1	3	42	110	188	
		4	42	113	223	
		5	40	118	220	
		7	35	96	198	
		10	27	68	155	
	L2	15	40	109	185	
		20	42	116	230	
		25	40	123	228	
		30	40	108	212	
		35	35	100	206	
		40	43	117	232	
		50	40	123	228	
		70	35	100	206	
		100	27	70	162	
急停扭矩 Emergency stop	Nm	2.5倍于T2N/2.5-times of T2N				
额定输入转速 Normal input speed	Rpm	L1*L2	3-100	4000	3600	3600/4000
最大输入转速 Maximum input speed			6000	6000	4800	
回程标准间隙 Backlash	Arcmin	L1	3-10	≤8	≤8	≤8
		L2	12-100	≤12	≤12	≤12
扭转刚性 Torsional stiffness	Nm/Arcmin		3-100	7	14	25
最大径向力 Maximum radial force	N	L1*L2	3-100	1150	1530	3470
最大轴向力 Maximum axial force			3-100	575	765	1735
工作效率 Efficiency	%	L1	3-10	≥95	≥95	≥95
		L2	12-100	≥92	≥92	≥92
工作寿命 Life time	H			≥20000h		
环境温度 Operating temperature	°C			-10°C~+90°C		
润滑方式 Lubrication				终身润滑/life lubrication		
防护等级 IP degree				IP65		
安装方向 Mounting position				任何方向/All position		
噪音 Noise level	dB			≤66	≤68	≤72
转动惯量 Moment of inertia	L1	3	0.16	0.61	3.25	
		4	0.14	0.48	2.74	
		5	0.13	0.47	2.71	
		7	0.13	0.45	2.62	
		10	0.13	0.44	2.57	
	L2	15	0.03	0.13	0.47	
		20	0.03	0.13	0.47	
		25	0.03	0.13	0.47	
		30	0.03	0.13	0.47	
		35	0.03	0.13	0.47	
		40	0.03	0.13	0.47	
		50	0.03	0.13	0.47	
		70	0.03	0.13	0.44	
		100	0.03	0.13	0.44	

TSR外形尺寸图表 / Out line dimension sheet

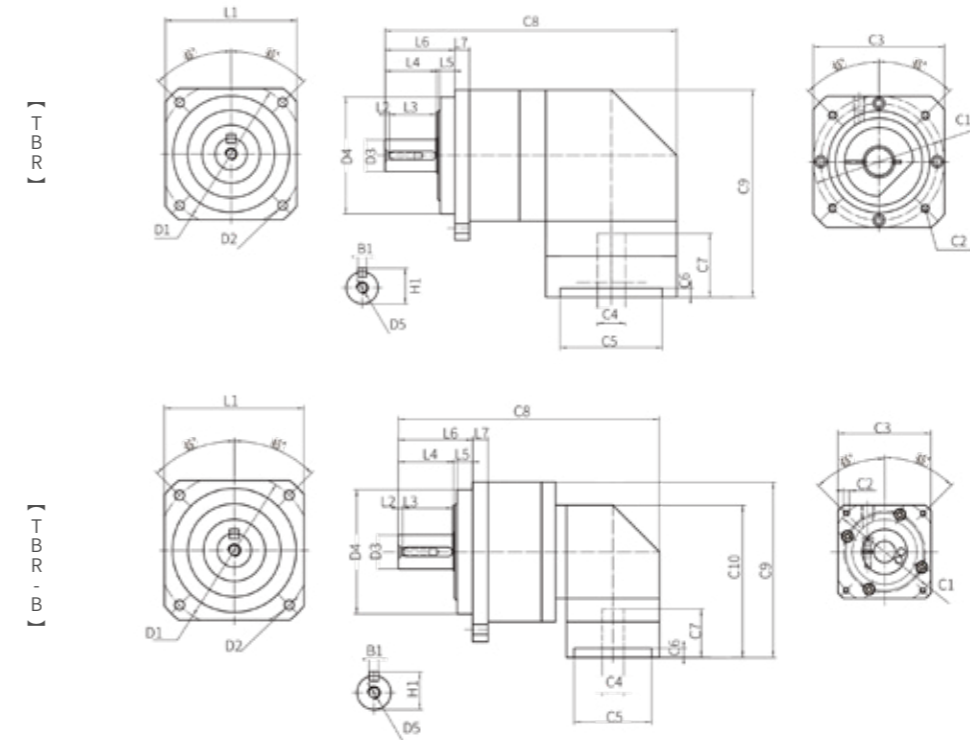


型号 size	TSR060	TSR090	TSR090B	TSR120	TSR120B
所有尺寸均以毫米为单位 all dimensions in mm					
D1 对角尺寸 diagonal dimension	70	105	105	140	140
D2 安装螺孔 mounting bore	5.5	6.5	6.5	9	9
D3 轴径 shaft diameter	14	20	20	25	25
D4 定位凸台 centering	50	80	80	110	110
D5 中心孔 centre bore	M5*12	M6*12	M6*12	M12*24	M12*24
L1 法兰截面 flange section	60	90	90	120	120
L2 至轴末端的距离 distance from shaft end	3	3	3	8	8
L3 键长 key width	15	30	30	30	30
L4 轴长自定位凸台起 shaft length from spigot	23.5	39	39	49.5	49.5
L5 定位凸台厚度 spigot depth	3	5	5	5	5
L6 法兰厚度 flange thickness	8	10	10	10	10
L7 输出轴长 shaft length from output	28	45	45	51	51
C1 对角尺寸 diagonal dimension	70	90	70	145	90
C2 安装螺纹*深度 mounting thread*depth	M4*8	M5*10	M4*8	M8*16	M5*10
C3 法兰截面 flange section	60	90	60	130	90
C4 轴中心孔 pinion bore	14	19	14	22	19
C5 中心孔 center bore for motor	50	70	50	110	70
C6 电机定位凸台深度 motor location depth	6	6	6	14	6
C7 马达轴长度 motor shaft length	31	43.5	31	67	43.5
C8 总长 (单级) overall length (single stage)	141.5	204	172	263	261
C8 总长 (双级) overall length (two stage)	161.5	232	200	297	295
C9 总高度 total height	98	142	113	183.5	159.5
C10 高度 height	/	/	98	/	142
B1 键宽 key width	4	6	6	8	8
H1 间距 space between	16	22.5	22.5	28	28

TBR性能表 / Performance table

型号 Size	节数 Stage level	速比 Ratio	TBR060	TBR090/TBR090B	TBR115/TBR115B	TBR140	TBR180	TBR220		
额定输出扭矩 T2N Nominal output torque T2N	Nm	L1	3	36	90	195	550	1100	1860	
			4	48	120	260	600	1250	1950	
			5	60	150	325	590	1200	1900	
			7	50	140	300	540	1050	1760	
			10	40	100	230	520	1000	1120	
		L2	15	36	90	300	530	1100	1800	
			20	48	110	230	530	1150	1800	
			25	60	150	325	590	1200	1800	
			30	55	150	310	550	1100	1830	
			35	50	140	300	540	1100	1800	
	Rpm	L1*L2	3~100	5000	4000	4000	2500	2000	2000	
			10000	8000	8000	4500	4500	4000		
			≤7	≤7	≤7	≤8	≤8	≤8		
			≤10	≤10	≤10	≤10	≤10	≤10		
Nm/Arcmin	L1*L2	N	7	14	25	56	140	220		
3~100		1200	2450	4000	9400	14500	50000			
N	L1	3~10	≥95	≥95	≥95	≥93	≥93	≥93		
12~100		≥92	≥92	≥92	≥90	≥90	≥90			
H	L1*L2	3~100	≥20000h							
°C			-10°C~+45°C							
			终身润滑/life lubrication							
			IP65							
			任何方向/All position							
dB			≤64	≤67	≤70	≤70	≤72	≤74		
转动惯量 Moment of inertia			L1	3	0.35	2.25	6.84	23.4	68.9	135.4
				4	0.35	2.25	6.84	23.4	68.9	135.4
				5	0.35	2.25	6.84	23.4	68.9	135.4
				7	0.35	2.25	6.84	23.4	68.9	135.4
	10	0.35		2.25	6.84	23.4	68.9	135.4		
	L2	15		0.09	0.35	2.25	6.84	23.4	68.9	
		20		0.09	0.35	2.25	6.84	23.4	68.9	
		25		0.09	0.35	2.25	6.84	23.4	68.9	
		30		0.09	0.35	2.25	6.84	23.4	68.9	
	L2	35		0.09	0.35	2.25	6.84	23.4	68.9	
		40	0.09	0.35	2.25	6.84	23.4	68.9		
		50	0.09	0.35	2.25	6.84	23.4	68.9		
		70	0.09	0.35	2.25	6.84	23.4	68.9		
	100	0.09	0.35	2.25	6.84	23.4	68.9			

TBR外形尺寸图表 / Out line dimension sheet

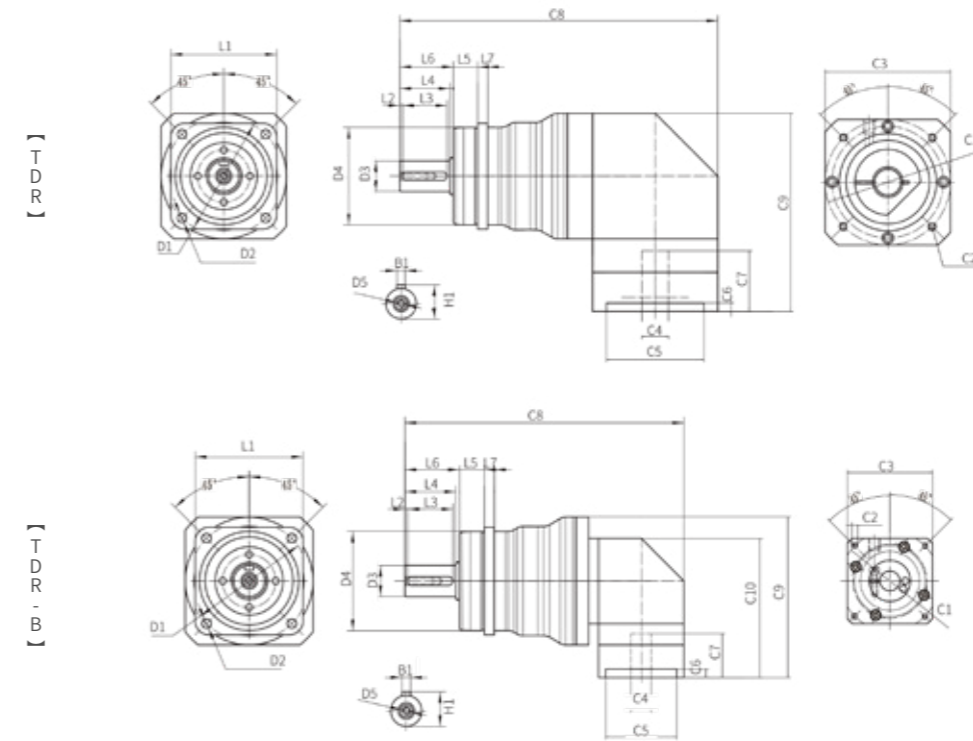


型号 size	TBR060	TBR090	TBR090B	TBR115	TBR115B	TBR140	TBR180	TBR220
所有尺寸均以毫米为单位 all dimensions in mm								
D1 对角尺寸 diagonal dimension	70	100		130		165	215	250
D2 安装螺孔 mounting bore	5.5	6.5		9		11	13	17
D3 轴径 shaft diameter	16	22		32		40	55	75
D4 定位凸台 centering	50	80		110		130	160	180
D5 中心孔 centre bore	M5*12	M8*16		M12*24		M16*32	M20*40	M20*40
L1 法兰截面 flange section	60	90		115		142	180	220
L2 至轴末端的距离 distance from shaft end	3	3		5		5	6	7
L3 键长 key width	20	30		40		65	70	90
L4 轴长自定位凸台起 shaft length from spigot	28.5	35.5		51		79	82	105
L5 定位凸台厚度 spigot depth	7	10		10		15	20	30
L6 输出轴长 shaft length from output	37	48		65		97	105	138
L7 法兰厚度 flange thickness	8	10		10		12	15	20
C1 对角尺寸 diagonal dimension	70	90		145		200	200	235
C2 安装螺孔*深度 mounting thread*depth	M4*8	M5*10		M8*16		M12*24	M12*24	M12*24
C3 法兰截面 flange section	60	90		130		142	180	220
C4 轴中心孔 pinion bore	14	19		24		35	38	55
C5 中心孔 center bore for motor	50	70		110		114.3	180	215
C6 电机定位凸台深度 motor location depth	6	6		14		14	15	7
C7 马达轴长度 motor shaft length	32.5	43.5		67		81	85	85
C8 总长 (单级) overall length (single stage)	146.5	200.5	168.5	265	235	352	394	484
C8 总长 (双级) overall length (two stage)	166.5	228.5	196.5	302	272	378	427	521
C9 总高度 total height	98	142	113	183.5	159.5	230	303.5	378.5
C10 高度 height	/	/	98	/	142	/	/	/
B1 键宽 key width	5	6	6	10	10	12	16	20
H1 间距 between	18	24.5	24.5	35.5	35.5	43	59	79.5

TDR性能表 / Performance table

型号 Size	节数 Stage level	速比 Ratio	TDR075/TDR075B	TDR100/TDR100B	TDR140	TDR180	TDR210		
额定输出扭矩 T2N Nominal output torque T2N	L1	3	130	208	342	588	1140		
		4	140	290	542	1050	1700		
		5	160	330	650	1200	2000		
		7	140	300	550	1100	1800		
		10	100	230	450	900	1500		
		15	130	208	342	588	1140		
		20	140	290	542	1050	1700		
		25	160	330	650	1200	2000		
	L2	30	150	310	600	1100	1900		
		35	140	300	550	1100	1800		
		40	120	230	500	1000	1600		
		50	160	330	650	1200	2000		
		70	140	300	550	1100	1800		
		100	100	230	450	900	1500		
		急停扭矩 Emergency stop	Nm		2.5倍于T2N/2.5-times of T2N				
		额定输入转速 Norminal input speed	Rpm	L1*L2	3~100	4000	4000	3000	3000
最大输入转速 Maximum input speed	Rpm	L1*L2	3~100	8000	8000	6000	6000	4000	
回程标准间隙P2 Backlash	Arcmin	L1	3~10	≤7	≤7	≤5	≤5	≤5	
		L2	12~100	≤10	≤10	≤8	≤8	≤8	
扭转刚性 Torsional stiffness	Nm/Arcmin	L1*L2	N	14	25	50	145	225	
最大径向力 Maximum radial force	N	L1*L2	3~100	2450	4000	9000	15000	20000	
最大轴向力 Maximum axial force	N	L1*L2	3~100	2200	4000	8300	14200	28000	
工作效率 Efficiency	%	L1	3~10	≥95	≥95	≥97	≥96	≥96	
		L2	12~100	≥92	≥92	≥94	≥93	≥93	
工作寿命 Life time	H	L1*L2	3~100	≥20000h					
环境温度 Operating temperature	°C	L1*L2	3~100	-10°C~ +90°C					
润滑方式 Lubrication		L1*L2	3~100	终身润滑 Lifetime lubrication					
防护等级 IP degree		L1*L2	3~100	IP65					
安装方向 Mounting position		L1*L2	3~100	任何方向/All position					
噪音 Noise level	dB	L1	3~10	≤67	≤70	≤70	≤68	≤70	
转动惯量 Moment of inertia	L1	3	2.25	6.84	9.21	28.98	69.61		
		4	2.25	6.84	7.54	23.67	54.37		
		5	2.25	6.84	7.42	23.29	53.27		
		7	2.25	6.84	7.25	22.48	50.97		
		10	2.25	6.84	7.14	22.51	50.56		
		15	0.35	2.25	7.03	7.42	23.29		
		20	0.35	2.25	2.71	7.42	23.29		
		25	0.35	2.25	2.71	7.42	23.29		
	L2	30	0.35	2.25	2.71	7.42	23.29		
		35	0.35	2.25	2.71	7.42	23.29		
		40	0.35	2.25	2.71	7.42	23.29		
		50	0.35	2.25	2.71	7.03	22.51		
		70	0.35	2.25	2.57	7.03	22.51		
		100	0.35	2.25	2.57	7.03	22.51		

TDR外形尺寸图表 / Out line dimension sheet



型号 size	TDR075	TDR075B	TDR100	TDR100B	TDR140	TDR180	TDR210
所有尺寸均以毫米为单位 all dimensions in mm							
D1 对角尺寸 diagonal dimension	85		120		165	215	250
D2 安装螺孔 mounting bore	6.6		9		11	13.5	17
D3 轴径 shaft diameter	22		32		40	55	75
D4 定位凸台 centering	70		90		130	160	180
D5 中心孔 centre bore	M6*12		M12*24		M16*32	M20*40	M20*40
L1 法兰截面 flange section	76		100		141	182	215
L2 至轴末端的距离 distance from shaft end	2		4		5	6	7
L3 键长 key width	30		50		70	70	90
L4 轴长自定位凸台起 shaft length from spigot	36		58		82	82	105
L5 定位凸台厚度 spigot depth	17.5		27		27	/	/
L6 输出轴长 shaft length from output	38.5		61		85	/	/
L7 法兰厚度 flange thickness	7		10		12	15	17
C1 对角尺寸 diagonal dimension	90	70	145	90	200	200	235
C2 安装螺纹*深度 mounting thread*depth	M5*10	M4*8	M8*16	M5*10	M12*24	M12*24	M12*24
C3 法兰截面 flange section	90	60	130	90	180	180	220
C4 轴中心孔 pinion bore	19	14	24	19	38	48	55
C5 中心孔 center bore for motor	70	50	110	70	130	180	200
C6 电机定位凸台深度 motor location depth	6		14	6	6	6	6
C7 马达轴长度 motor shaft length	43.5	31	67	43.5	60	85	116
C8 总长 (单级) overall length (single stage)	228.5	196.5	299	269	338.5	397	484
C8 总长 (双级) overall length (two stage)	253.5	221.5	330	300	370.5	434	521
C9 总高度 total height	142	113	183.5	154.5	235.5	303.5	378.5
C10 高度 height	/	98	/	142	/	/	/
B1 键宽 key width	6		10		12	16	20
H1 space between	24.5		35		43	59	79.5

法兰输出系列

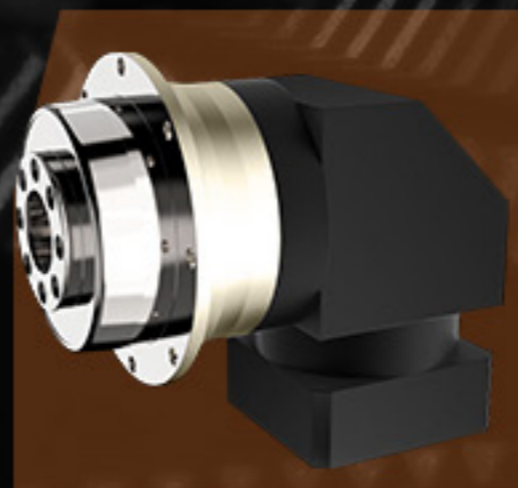
FLANGE OUTPUT SERIES

FLANGE OUTPUT

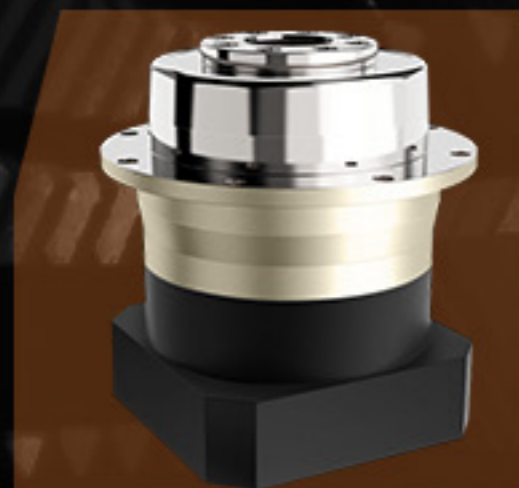
法兰输出系列

特征 CHARACTERISTIC

- 01/**行星齿轮和太阳齿轮均采用斜齿设计，齿形啮合率为直齿轮的2倍以上，运转平顺、低噪音、低背隙
Planetary gears and sun gears are designed with helical gears, and the tooth profile meshing ratio is more than 2 times that of spur gears, ensuring smooth operation, low noise, and low backlash.
- 02/**标准品回程间隙 ≤ 3 弧分，定制品回程间隙 ≤ 1 弧分
Standard product return gap ≤ 3 arcmin, customized product return gap ≤ 1 arcmin.
- 03/**使用整体式满针滚针轴承及一体式内齿圈配合一体式行星臂架，大大提高了扭转刚性和输出扭矩。
The use of integral full needle roller bearings and integral internal gear ring with integral planetary arm carrier greatly improves torsional rigidity and output torque.
- 04/**单级97%以上，双级94%以上
More than 97% of single-stage, more than 94% of double-stage.
- 05/**使用全合成润滑脂，并采用IP65防护等级的密封设计，润滑油不泄露免维护筒夹式锁紧机构
Fully synthetic grease is used, and the sealing design of IP65 protection level is adopted, and the lubricating oil does not leak and is maintenance-free collet-type locking mechanism.
- 06/**输入端与电机的连接方式采用筒夹式锁紧机构并经过动平衡分析，以确保在高输出转速下结合界面的同心度和零背隙的动力传递
The connection between the input end and the motor adopts a collet-type locking mechanism and undergoes dynamic balance analysis to ensure the concentricity of the interface and zero backlash power transmission at high output speeds.



TFR



TF

TF --- 090 --- R010 ---- P1

Size/规格

040/060/064/075/090/100/
110/120/140/155/180/200/
205/210/220/235/255

Ratio/减速比
R 3~100

Precision/精度
P0 < 1 arcmin
P1 < 3 arcmin
P2 < 5 arcmin
P3 < standard

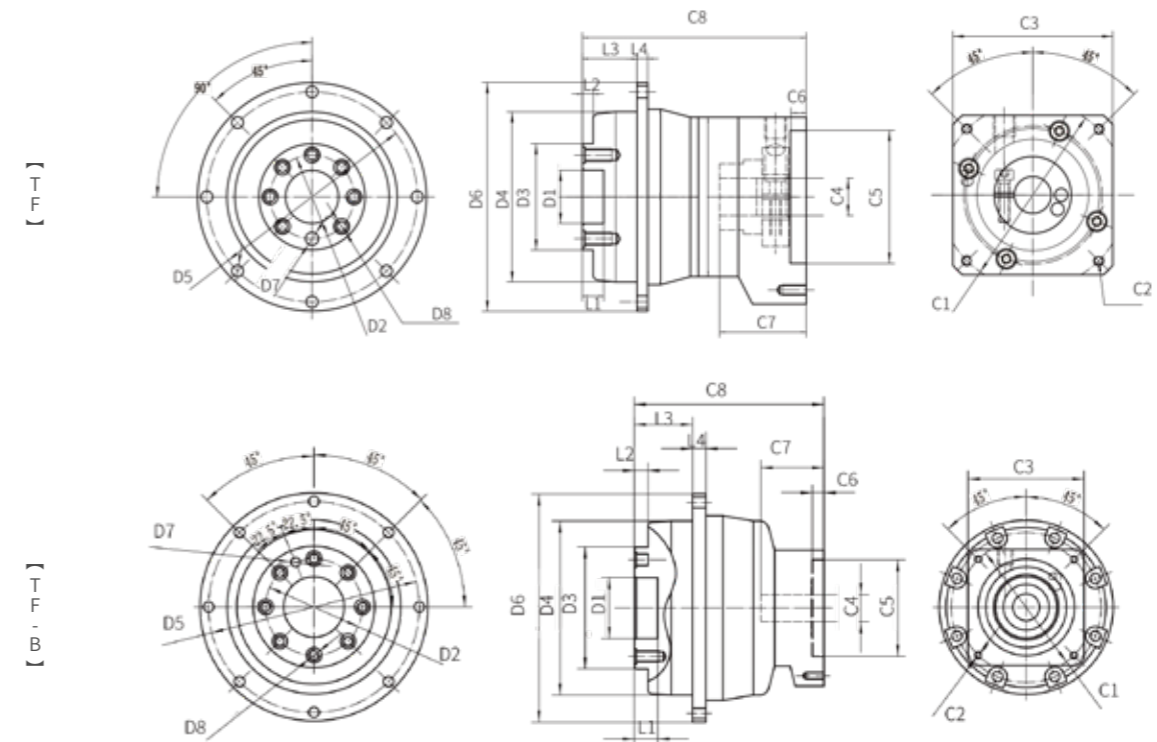
Model/系列

Flanged output series 法兰输出系列: TF/TFR

TF性能表 / Performance table

型号 Size	节数 Stage level	速比 Ratio	TF060	TF090/TF090B	TF110/TF110B	TF140	TF200	TF255	
额定输出扭矩 T2N Nominal output torque T2N	L1	4	50	130	270	560	1050	1700	
		5	60	160	330	700	1200	2000	
		7	50	140	300	700	1100	1800	
		10	40	100	230	460	900	1500	
	L2	20	50	130	270	650	1050	1700	
		25	60	160	330	700	1200	2000	
		35	50	140	300	700	1100	1800	
		40	45	130	270	700	1000	1600	
		50	60	160	330	700	1200	2000	
		70	50	140	300	700	1100	1880	
100	40	100	230	460	900	1500			
急停扭矩 Emergency stop	Nm		2.5倍于T2N/2.5-times of T2N						
额定输入转速 Nominal input speed	Rpm	L1*L2	4-100	5000	4000	4000	3000	3000	2000
最大输入转速 Maximum input speed	Rpm			10000	8000	8000	6000	6000	4000
回程高精间隙P1 Low backlash	Arcmin	L1	4-100	≤3	≤3	≤3	≤3	≤3	
		L2	20-100	≤5	≤5	≤5	≤5	≤5	
回程标准间隙P2 Standard backlash	Arcmin	L1	4-100	≤5	≤5	≤5	≤6	≤6	
		L2	20-100	≤8	≤8	≤8	≤8	≤8	
扭转刚性 Torsional stiffness	Nm/Arcmin		N	7	14	25	50	450	1010
最大径向力 Maximum radial force	N	L1*L2	4-100	125	235	430	1300	3064	5900
最大轴向力 Maximum axial force	N			1050	2200	4000	8300	16660	29430
工作效率 Efficiency	%	L1	4-10	≥97	≥97	≥97	≥97	≥97	
		L2	12-100	≥94	≥94	≥94	≥94	≥94	
工作寿命 Life time	H			≥20000h					
环境温度 Operating temperature	°C			-10°C~ +90°C					
润滑方式 Lubrication		L1*L2	4-100	终身润滑/life lubrication					
防护等级 IP degree				IP65					
安装方向 Mounting position				任何方向/All position					
噪音 Noise level	dB			≤60	≤62	≤65	≤70	≤67	≤70
转动惯量 Moment of inertia	L1	4	0.14	0.48	2.74	7.54	23.67	54.37	
		5	0.13	0.47	2.71	7.42	23.29	53.27	
		7	0.13	0.45	2.62	7.25	22.48	50.97	
		10	0.13	0.44	2.57	7.14	22.51	50.56	
	L2	20	0.03	0.13	0.47	2.71	7.42	23.29	
		25	0.03	0.13	0.47	2.71	7.42	23.29	
		35	0.03	0.13	0.47	2.71	7.42	23.29	
		40	0.03	0.13	0.47	2.71	7.42	23.29	
		50	0.03	0.13	0.47	2.71	7.03	22.51	
		70	0.03	0.13	0.44	2.57	7.03	22.51	
		100	0.03	0.13	0.44	2.57	7.03	22.51	

TF外形尺寸图表 / Out line dimension sheet

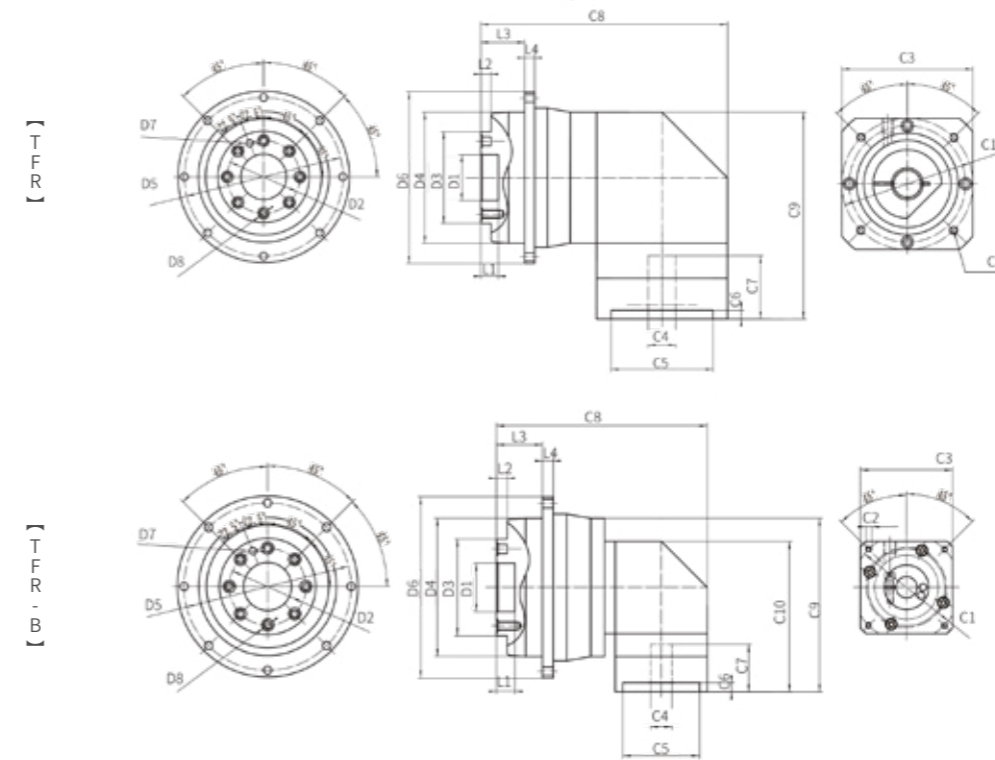


型号 size	TF060	TF090	TF090B	TF110	TF110B	TF140	TF140B	TF200	TF255
所有尺寸均以毫米为单位 all dimensions in mm									
D1 定位凸台 centering	20	31.5		40		50		80	100
D2 安装孔分布圆 hold circle diameter	31.5	50		63		80		125	140
D3 定位凸台 centering	40	63		80		100		160	180
D4 定位凸台 centering	64	90		110		140		200	255
D5 安装孔分布圆 hold circle diameter	79	109		135		168		233	280
D6 外径 outside diameter	86	118		145		179		247	300
D7 定位孔直径 locating hole	5	6		6		8		10	12
D8 安装螺纹*深度 mounting thread*depth	M5*10	M6*12		M6*12		M8*16		M10*20	M16*32
L1 定位凸台厚度 spigot depth	8	12		13		12		16	20
L2 定位凸台厚度 spigot depth	4	7		7		7.5		8	12
L3 输出法兰长度 length of output flange	23.5	30		29		38		50	66
L4 法兰厚度 flange thickness	4	7		8		10		12	18
C1 对角尺寸 diagonal dimension	70	90	70	145	90	200	145	200	235
C2 安装螺纹*深度 mounting thread*depth	M4*8	M5*10	M4*8	M8*16	M6*12	M12*24	M8*16	M12*24	M12*24
C3 法兰截面 flange section	70	90	60	130	90	180	130	180	220
C4 轴中心孔 pinion bore	14	19	14	24	19	35	24	35	48
C5 中心孔 center bore for motor	50	70	50	110	70	114.3	110	114.3	200
C6 电机定位凸台深度 motor location depth	6	6		6		10		10	10
C7 马达轴长度 motor shaft length	37	47	32.5	67	47	80	78	117	119.5
C8 总长 (单级) overall length (single stage)	89.5	115.5	98	146	124.5	174	172	229	255
C8 总长 (双级) overall length (two stage)	109	140.5	123	177	155.5	211.5	209.5	336	322

TFR性能表 / Performance table

型号 Size	节数 Stage level	速比 Ratio	TFR060	TFR090/TFR090B	TFR110/TFR110B	TFR140	TFR200	TFR255		
额定输出扭矩 T2N Nominal output torque T2N	L1	4	50	130	270	555	1050	1700		
		5	60	160	330	650	1200	2000		
		7	50	140	300	550	1100	1800		
		10	40	100	230	450	900	1500		
	L2	20	50	130	270	555	1050	1700		
		25	60	160	330	650	1200	2000		
		35	50	140	300	550	1100	1800		
		40	45	130	270	500	1000	1600		
		50	60	160	330	650	1200	2000		
		70	50	140	300	550	1100	1800		
100	40	100	230	450	900	1500				
急停扭矩 Emergency stop	Nm	2.5倍于T2N/2.5-times of T2N								
额定输入转速 Norminal input speed	Rpm	L1*L2	4-100	5000	4000	4000	3000	3000	2000	
最大输入转速 Maximum input speed	Rpm	L1*L2	4-100	10000	8000	8000	8000	6000	4000	
回程间隙 Backlash	Arcmin	L1	4-10	≤7	≤7	≤7	≤6	≤6	≤6	
		L2	20-100	≤10	≤10	≤10	≤8	≤8	≤8	
扭转刚性 Torsional stiffness	Nm/Arcmin	L1*L2	4-100	7	14	25	150	450	1010	
最大径向力 Maximum radial force	N	L1*L2	4-100	125	235	430	1300	3064	5900	
最大轴向力 Maximum axial force			1050	2200	4000	10590	16660	29430		
工作效率 Efficiency	%	L1	4-100	≥95	≥95	≥95	≥97	≥97	≥97	
		L2	20-100	≥92	≥92	≥92	≥94	≥94	≥94	
工作寿命 Life time	H	L1*L2	4-100	≥20000h						
环境温度 Operating temperature	°C			-10°C~+90°C						
润滑方式 Lubrication				终身润滑/life lubrication						
防护等级 IP degree				IP65						
安装方向 Mounting position				任何方向/All position						
噪音 Noise level	dB	L1	4	≤64	≤67	≤70	≤68	≤69	≤70	
转动惯量 Moment of inertia	kgm ²		L1	5	0.14	0.48	2.74	7.54	23.67	54.37
				7	0.13	0.47	2.71	7.42	23.29	53.27
				10	0.13	0.44	2.57	7.03	22.51	50.56
				20	0.03	0.13	0.47	2.71	7.42	23.29
			L2	25	0.03	0.13	0.47	2.71	7.42	23.29
				35	0.03	0.13	0.47	2.71	7.42	23.29
				40	0.03	0.13	0.47	2.71	7.42	23.29
				50	0.03	0.13	0.47	2.57	7.03	22.51
				70	0.03	0.13	0.44	2.57	7.03	22.51
		100		0.03	0.13	0.44	2.57	7.03	22.51	

TFR外形尺寸图表 / Out line dimension sheet



型号 size	TFR060	TFR090	TFR090B	TFR110	TFR110B	TFR140	TFR200	TFR255
所有尺寸均以毫米为单位 all dimensions in mm								
D1 定位凸台 centering	20	31.5		40	50	80	100	
D2 安装孔分布圆 hold circle diameter	31.5	50		63	80	125	140	
D3 定位凸台 centering	40	63		80	100	160	180	
D4 定位凸台 centering	64	90		110	140	200	225	
D5 安装孔分布圆 hold circle diameter	79	109		135	168	233	280	
D6 外径 outside diameter	86	118		145	179	247	300	
D7 定位孔直径 locating hole	5	6		6	8	10	12	
D8 安装螺纹*深度 mounting thread*depth	M5*10	M6*12		M6*12	M8*16	M10*20	M16*32	
L1 定位凸台厚度 spigot depth	8	12		13	12	22.5	30.5	
L2 定位凸台厚度 spigot depth	4	7		7	6	8	12	
L3 输出法兰长度 length of output flange	23.5	30		29	38	50	66	
L4 法兰厚度 flange thickness	4	7		8	10	12	18	
C1 对角尺寸 diagonal dimension	70	90	70	145	90	145	215	235
C2 安装螺纹*深度 mounting thread*depth	M4*8	M5*10	M4*8	M8*16	M5*10	M8*16	M12*24	M12*24
C3 法兰截面 flange section	60	90	60	130	90	130	190	220
C4 轴中心孔 pinion bore	14	19	14	24	19	32	48	55
C5 中心孔 center bore for motor	50	70	50	110	70	110	85	116
C6 电机定位凸台深度 motor location depth	6	6	6	14	6	8	6	6
C7 马达轴长度 motor shaft length	31	43.5	31	67	43.5	17	20	24
C8 总长 (单级) overall length (single stage)	124	169.5	137.5	219	217	255.5	334.5	392
C8 总长 (双级) overall length (two stage)	140.5	194.5	162.5	250	248	300	382	403
C9 总高度 total height	98	142	/	183.5	/	214.5	316	398.5
C10 高度 height	/	/	113	/	154.5	/	/	/

T型转向器系列

T-TYPE STEERING GEAR SERIES

T-TYPE STEERING GEAR

T型转向器系列

特征 CHARACTERISTIC

01/ 高精度蜗线伞齿轮
High precision worm bevel gear

02/ 转角系列减速机采用蜗线伞齿轮设计，容许伺服马达高转速输入，高输出扭矩、低运转背隙
低背隙
The angle series reducer adopts the worm-bevel gear design, which allows high-speed input of the servo motor, high output torque, and low running backlash.
Low backlash

03/ 标准品回程间隙≤12弧分，定制品回程间隙≤7弧分
适用性广
Standard product return gap ≤ 12 arc minutes, customized product return gap ≤ 7 arc minutes
Wide applicability

04/ 多重不锈钢输出输入力轴设计，适用各种应用工况
精简结构设计、体积小
Multiple stainless steel output and input shaft design, suitable for various application conditions
Streamlined structure design, small size

05/ 采用先进六轴精密机械加工，一次装夹同时加工完成，配合精简结构设计，节省安装空间
高速比密度
It adopts advanced six-axis precision machining, which can be finished at the same time when clamping in one time. With the simplified structure design, it saves installation space.

06/ 独特的马达连接板设计，安装简单，适用于任何品牌的伺服、步进电机
Unique motor connection board design, simple installation, suitable for any brand of servo, stepper motor



TYRH



TYRS



TYRS6



TYRH-L2

TYRH --- 090 --- R010 ---- P1

Precision/精度
P0<1 ar cmin
P1<3 ar cmin
P2<5 ar cmin
P3< s standard

Ratio/减速比
R 3~100

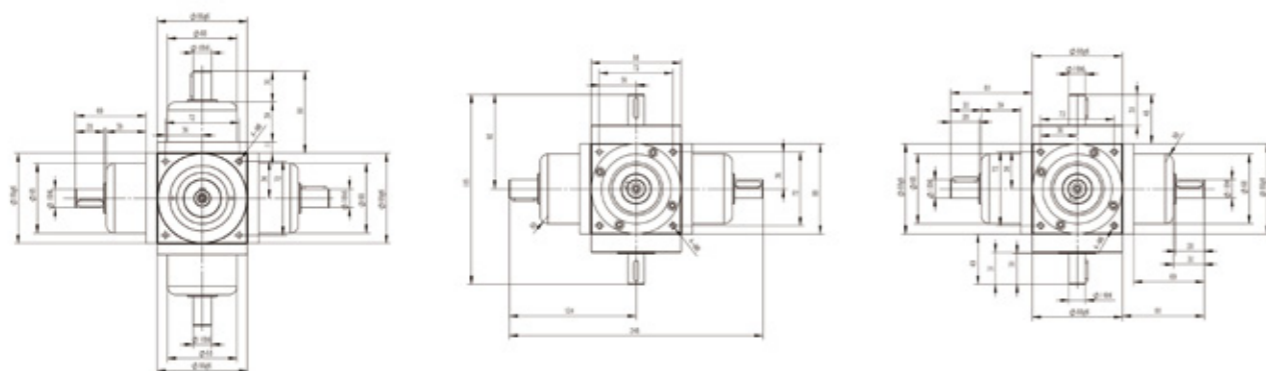
Size/规格
040/060/064/075/090/100/
110/120/140/155/180/200/
205/210/220/235/255

Model/系列
T-type steering gear T型转向器: TYRS6-2/TYRS/TYRH

TYRS6-2性能表 / Performance table

型号 Size		TYRS6-2
速比 Ratio		2
输出方式 output mode		6轴输出
额定输出扭矩 T2N Nominal output torque T2N	Nm	85
急停扭矩 Emergency stop	Nm	2倍于T2N/2-times of T2N
额定输入转速 Normal input speed	Rpm	750
最大输入转速 Maximum input speed		1500
回程间隙 Backlash	Arcmin	≤7arcmin
工作效率 Efficiency	%	≥96%
工作寿命 Life time	H	≥20000
环境温度 Operating temperature	°C	-20°C~+80°C
润滑方式 Lubrication		终身润滑/life lubrication
防护等级 IP degree		IP65
安装方向 Mounting position		任何方向/All position
噪音 Noise level	dB	≤68

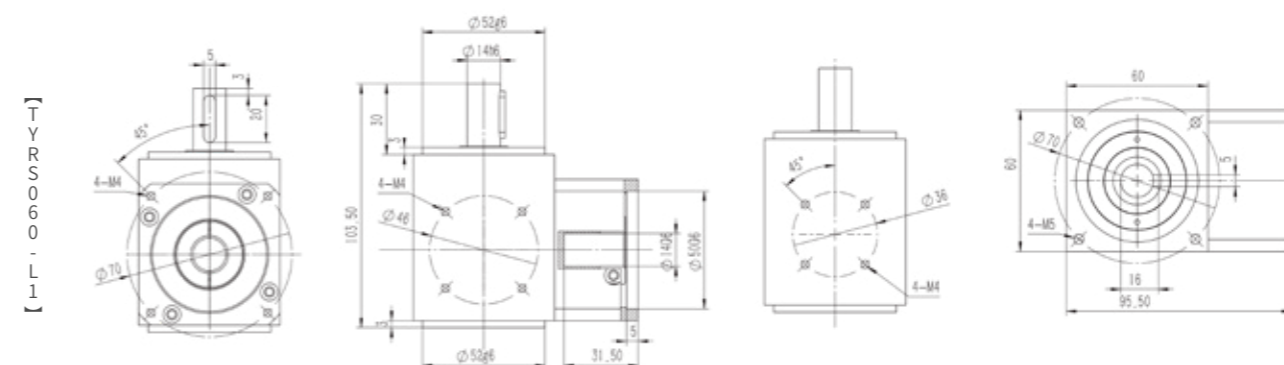
TYRS6-2外形尺寸图表 / Out line dimensionsheet



TYRS性能表 / Performance table

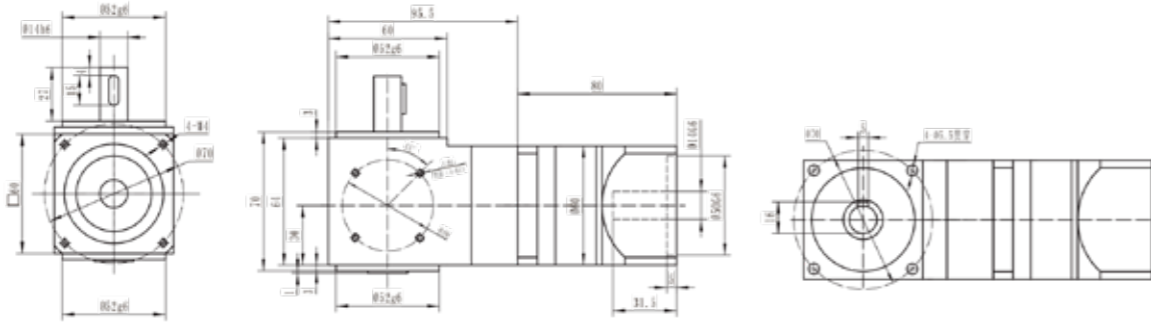
型号 Size		速比 Ratio	TYRS060-L1	TYRS090-L1	TYRS110-L1
额定输出扭矩 T2N Nominal output torque T2N	Nm	1	20	90	○
		2	25	78	85
		3	○	82	○
		5	12	○	○
输出方式 output mode		单轴输出/双轴输出			
急停扭矩 Emergency stop	Nm	2倍于T2N/2-times of T2N			
额定输入转速 Normal input speed	Rpm	3000	3000	3000	
最大输入转速 Maximum input speed		5500	4500	4500	
回程间隙 Backlash	Arcmin	≤7arcmin			
工作效率 Efficiency	%	≥96%			
工作寿命 Life time	H	≥20000			
环境温度 Operating temperature	°C	-20°C~+80°C			
润滑方式 Lubrication		终身润滑/life lubrication			
防护等级 IP degree		IP65			
安装方向 Mounting position		任何方向/All position			
噪音 Noise level	dB	≤65		≤70	

TYRS外形尺寸图表 / Out line dimension sheet

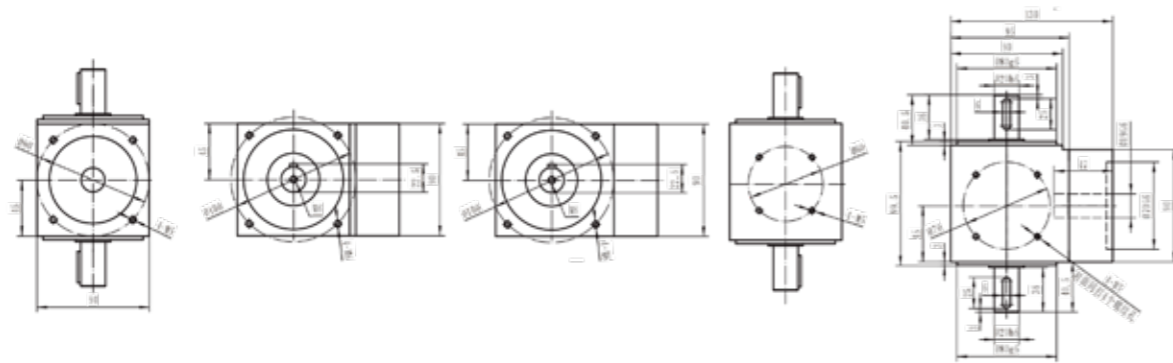


TYRS外形尺寸图表 / Out line dimension sheet

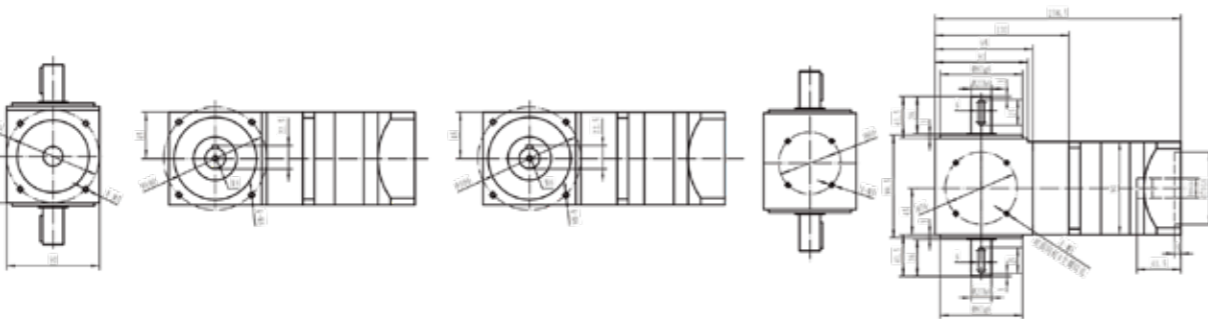
【TYRS060-L1】



【TYRS090-L1】

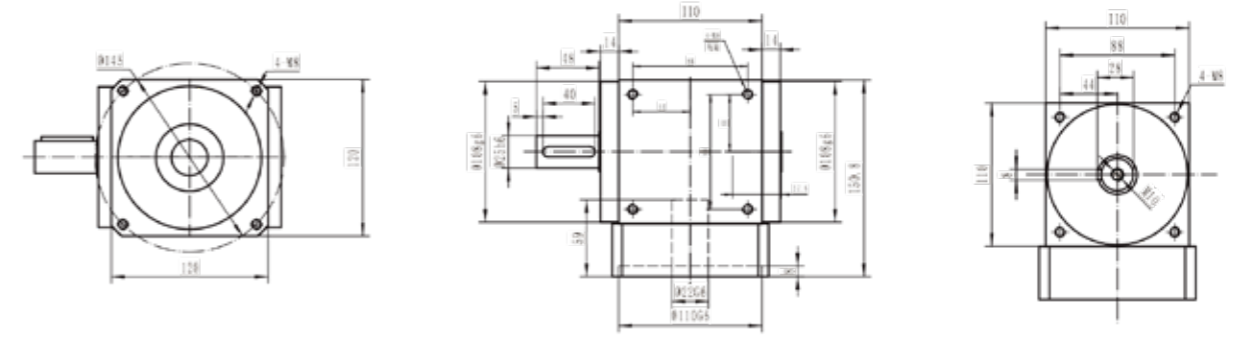


【TYRS090-L2】

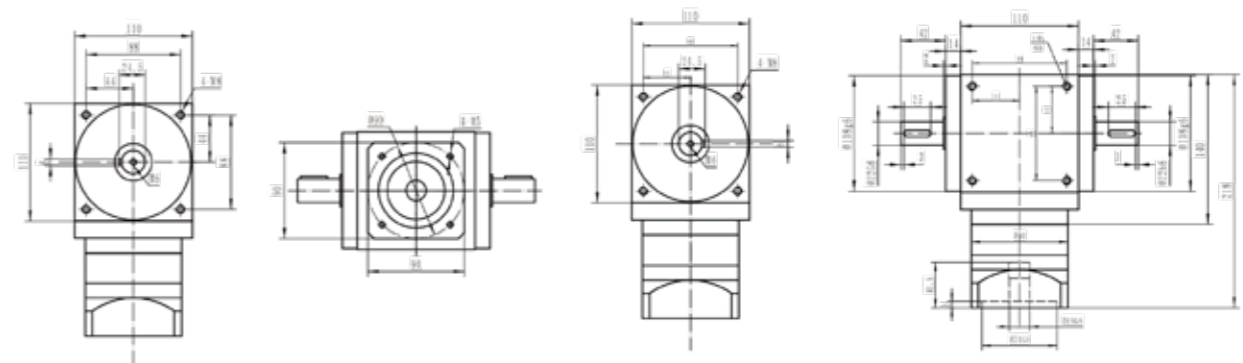


TYRS外形尺寸图表 / Out line dimension sheet

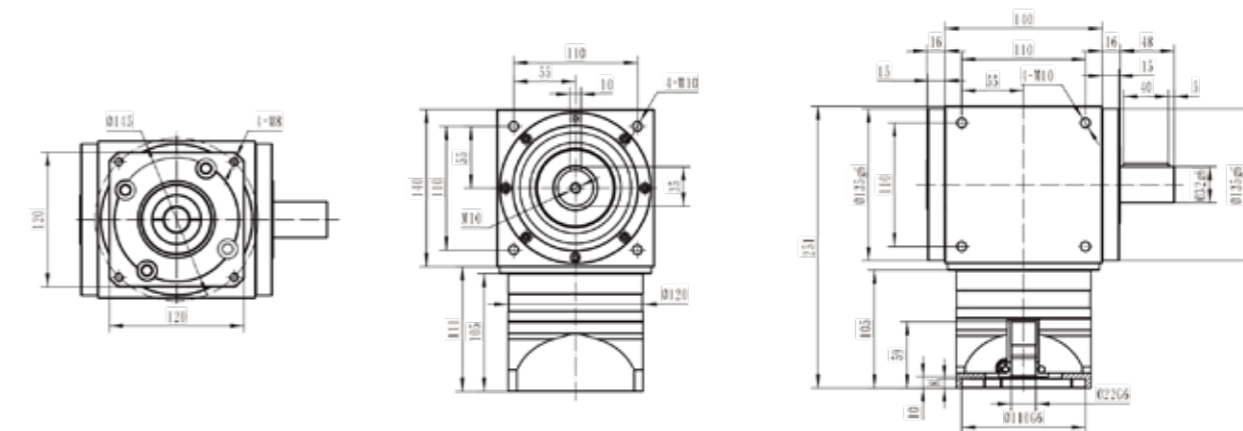
【TYRS110-L1】



【TYRS110-L2】



【TYRS142-L2】

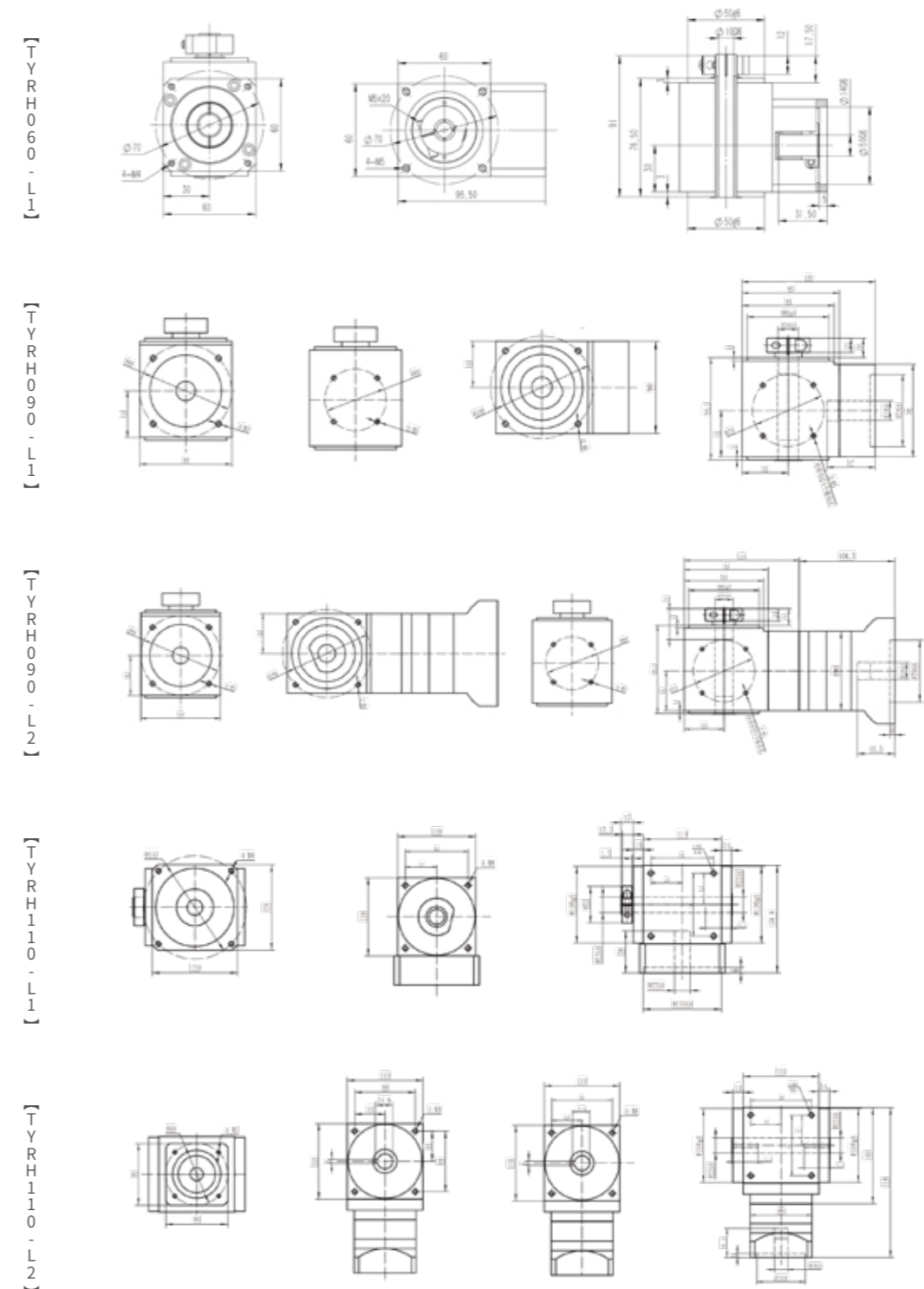


TYRH性能表 / Performance table

型号 Size		速比 Ratio	TYRH060-L1	TYRH090-L1	TYRH110-L1
额定输出扭矩 T2N Nominal output torque T2N	Nm	1	○	90	○
		2	25	78	85
输出方式 output mode			单轴输出/双轴输出		
急停扭矩 Emergency stop	Nm		2倍于T2N/2-times of T2N		
额定输入转速 Norminal input speed	Rpm		3000	3000	
最大输入转速 Maximum input speed			5500	4500	
回程间隙 Backlash	Arcmin		≤7arcmin		
工作效率 Efficiency	%		≥96%		
工作寿命 Life time	H		≥20000		
环境温度 Operating temperature	°C		-20°C~ +80°C		
润滑方式 Lubrication			终身润滑/life lubrication		
防护等级 IP degree			IP65		
安装方向 Mounting position			任何方向/All position		
噪音 Noise level	dB		≤65		≤70

型号 Size		TYRH090-L2	TYRH110-L2
速比 Ratio		转向器速比+行星减速机速比	
输出方式 output mode		孔输出	
急停扭矩 Emergency stop	Nm	2倍于T2N/2-times of T2N	
额定输入转速 Norminal input speed	Rpm	3000	3000
最大输入转速 Maximum input speed		5000	4500
回程间隙 Backlash	Arcmin	≤12arcmin	
工作效率 Efficiency	%	≥92%	≥96%
工作寿命 Life time	H	≥20000	
环境温度 Operating temperature	°C	-20°C~ +80°C	
润滑方式 Lubrication		终身润滑/life lubrication	
防护等级 IP degree		IP65	
安装方向 Mounting position		任何方向/All position	
噪音 Noise level	dB	≤68	≤74

TYRH外形尺寸图表 / Out line dimension sheet



中空旋转系列

AIR ROTATION SERIES

特征 CHARACTERISTIC

- 01/** 配管、配线更便利
Convenient piping and wiring
- 02/** 旋转盘面可与承载物直接锁固
The rotating disc surface can be directly locked with the load
- 03/** 重复定位精度±15SEC, 重复定位精度±10SEC
Repeat positioning accuracy ±15sec, repeat positioning accuracy ±10sec
- 04/** 减速机构采用螺旋齿轮设计, 齿形啮合率为直齿轮的2倍以上, 运转平顺、低噪音、低背隙
The reduction mechanism adopts helical gear design, and the tooth profile meshing ratio is more than twice that of spur gears, smooth running, low noise, and low backlash.
- 05/** 采用高精度交叉斜角滚柱轴承, 体积小、结构紧凑, 可同时承载径向及轴向负荷
可搭配任何品牌的伺服、步进电机
The body of the rotating disc is processed by imported processing mother machine, and the precision is within DIN6 level.
- 06/** 输入端与电机的连接方式采用筒夹式锁紧机构并经过平衡分析, 以确保在高输出转速下结合介面的同心度和零背隙的动力传递
The connection between the input end and the motor adopts a collet-type locking mechanism and undergoes dynamic balance analysis to ensure the concentricity of the interface and zero backlash power transmission at high output speeds

AIR ROTATION SERIES

中空旋转系列



TYHDK130



TYHD

TYHD --- 090 --- R010 ---- P1

Size/规格

040/060/064/075/090/100/
110/120/140/155/180/200/
205/210/220/235/255

Ratio/减速比
R 3~100

Precision/精度

P0<1 ar cmin
P1<3 ar cmin
P2<5 ar cmin
P3< s standard

Model/系列

Hollow rotating platform 中空旋转平台: TYHD/TYHDK130

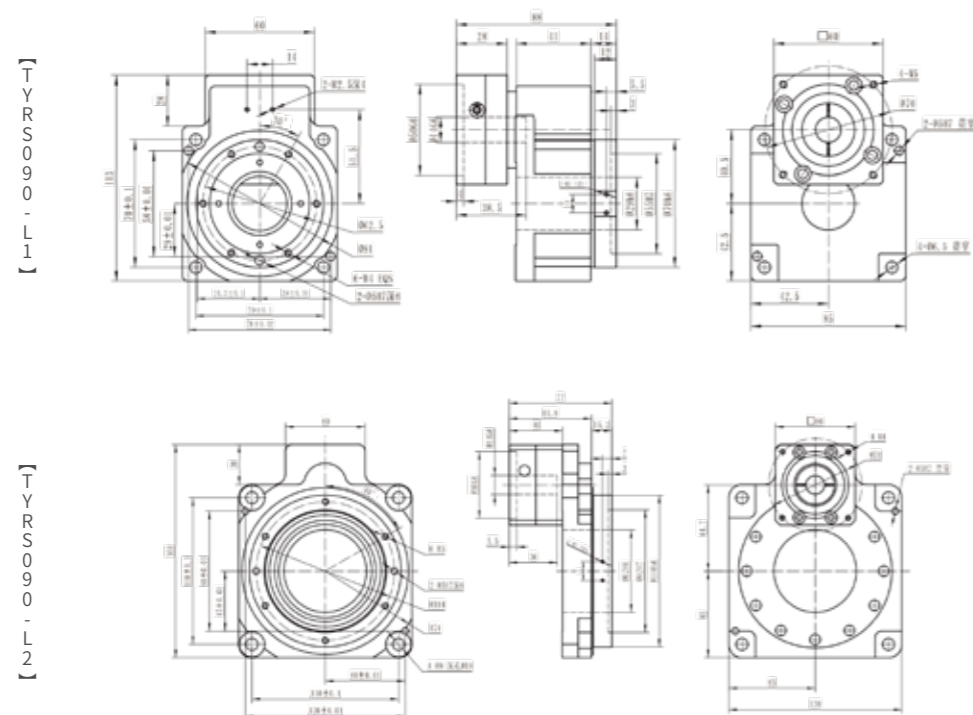
TYHD性能表 / Performance table

型号 size	TYHD85	TYHD130
搭载马达型号 equipped with motor model	50W~400W伺服电机、57步进电机	
支撑旋转平台轴承 support rotary table bearing	交叉滚子轴承 crossed roller bearing	
	深沟球轴承+圆锥滚子轴承 deep groove ball bearing+tapered roller bearing	角接触轴承+平面轴承 angular contact bearing+plane bearing
减速比 reduction ratio	5:1 10:1	10:1 18:1
转动惯量 moment of inertia	4098*10 ⁻⁶ kg·m ²	9216*10 ⁻⁶ kg·m ²
允许输出转矩 allowable output torque	25NM	45NM
额定输出转速 rated output speed	200rpm	
角度传动精度 angle drive accuracy	≤1arcmin	
反复定位精度 repeated positioning accuracy	±15sec	
允许轴向负载 allow axial load	300N	800N
允许惯性力矩 allowable moment of inertia	20NM	50NM
旋转平台平行度 rotating platform parallelism	±2μm	
旋转平台同心度 rotating platform concentricity	<0.01mm	
噪音 Noise level	65dB	
防护等级 protection level	IP40	
重量 weight	1.2kg	2.8kg

TYHDK130性能表 / Performance table

型号 Size	TYHDK130 重载型	
速比 Ratio		2比转向器+行星减速机
输出方式 output mode		盘式输出
额定输出转矩 T2N Nominal output torque T2N	Nm	85
急停扭矩 Emergency stop	Nm	2倍于T2N/2-times of T2N
额定输入转速 Norminal input speed	Rpm	2500
最大输入转速 Maximum input speed		4000
回程间隙 Backlash	Arcmin	≤12arcmin
工作效率 Efficiency	%	≥96%
工作寿命 Life time	H	≥20000
环境温度 Operating temperature	°C	-20°C~+80°C
润滑方式 Lubrication		终身润滑/life lubrication
防护等级 IP degree		IP65
安装方向 Mounting position		任何方向/All position
噪音 Noise level	dB	≤65

TYHD外形尺寸图表 / Out line dimension sheet



TYHDK130外形尺寸图表 / Out line dimension sheet

